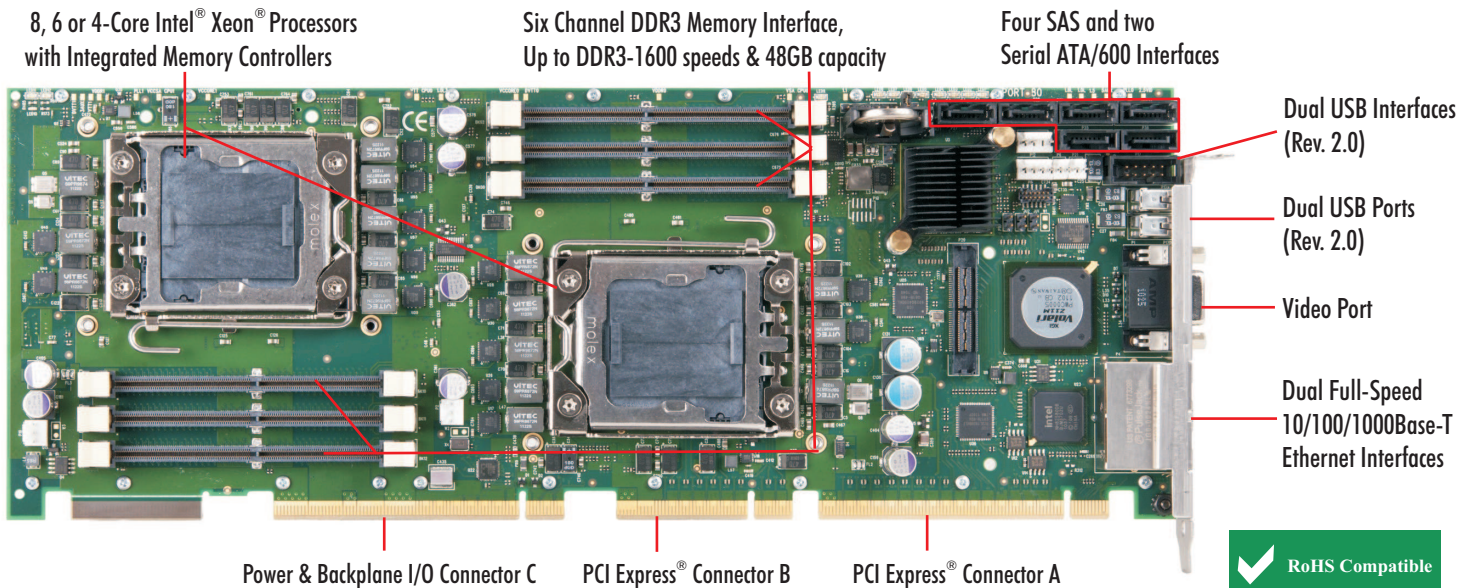


### SYSTEM HOST BOARD WITH MULTI-CORE PROCESSORS



#### Here's a brief list of the BXT7059 single board computer highlights:

- System performance boost with 8, 6 or 4-core CPU architecture
- On-board power management and system security features
- Deployment risks lowered with extended-life board design
- 5-year product warranty maximizes system ROI
- On-board interface support for either SAS or SATA/300 drives
- Built-in system support for PCI Express 1.1, 2.0 and 3.0 cards

#### PROCESSORS:

Intel® Xeon® E5-2400 Series Processors, 1.8GHz - 2.4GHz\* Processor Package: LGA1356

The DDR3 integrated memory controllers in the Intel® Xeon® E5-2400 series processors support DDR3-1600 memory interface speeds. The PCI Express® 3.0 links available directly out of the processors allow BXT7059 system designs that deliver faster performance in a wide variety of data intensive applications. Other features include:

- Extended-life, embedded components provide longevity (E5-2430)
- Improved CPU thermal design saves power
- Eight & six-core micro-architecture with Intel® Hyper-Threading doubles core processing capability (E5-2448L & E5-2430)
- Intel® Advanced Management Technology (Intel® AMT7.0 - Standard\*)
- Intel® Advanced Vector Extensions (Intel® AVX - All E5-2400 CPUs)
- Integral PCI Express Gen 3.0 links support all PCIe devices

#### PLATFORM CONTROLLER HUB (PCH):

The Intel® C604 is a Platform Controller Hub (PCH) that takes the place of the traditional multi-component chipset. The PCH design approach saves power while providing enhanced system host board I/O, PCI Express and Ethernet interface capabilities.

#### THREE ETHERNET INTERFACES - 10/100/1000BASE-T:

The BXT7059 supports three Gigabit Ethernet interfaces. Two ports are located on the board's I/O bracket and a third LAN is routed for use on cable header P22 or as a PICMG 1.3 backplane interface via SHB edge connector C. Trenton has a 24" (610mm) cable available (part no. 193-500001150-00) for use with P22 that has the mating P22 connector on one end and an Ethernet LAN connector mounted into an I/O plate on the other.

#### PCI EXPRESS® GEN 3.0, 2.0 and 1.1 INTERFACES:

Trenton's BXT7059 supports system designs with one x16, two x8 or four x4 PCI Express® links on a PICMG® 1.3 backplane. These links plus an additional x4 PCIe link (B0) and eight PCIe reference clocks are supplied on SHB edge connectors A & B. Link B0 may also function as four, x1 PCIe links. Trenton's optional IOB33 and PEX10 modules can be used on the board to provide additional x4 and x16 PCIe expansion links to the system. Upon system power-up, the BXT7059 automatically configures all of the PCIe links between the board and PCIe target devices for optimum data communication. This automatic link negotiation process may result in data transfer communications between the SHB and the system option cards to take place at either PCI Express 3.0, 2.0 or 1.1 link speeds. The actual link speed will be determined by a number of factors such as PCI Express endpoint types, system backplane design and other system design parameters. PCI Express auto-negotiation between the BXT7059 and the system option cards is fully supported thereby enabling system design support for x1, x4, x8 and x16 PCI Express cards.

#### PCI EXPRESS CONFIGURATION:

- PCI Express - Edge Connectors - One x16, two x8 or four x4 A & B links, plus one x4 or 4 - x1 links
- Eight reference clocks
- PCI Express - IOB33 - One x4 link
- PCI Express - PEX10 - One x16 or 2 - x8 or 4 - x4 links

#### VIDEO:

Trenton's BXT7059 SHB features a Graphics Processing Unit (GPU) driven with a x1 PCIe link from the PCH of the board. The GPU has 8MB of on-board video memory to support pixel resolutions up to 1920 x 1200 (WUXGA) with a 64K color depth.

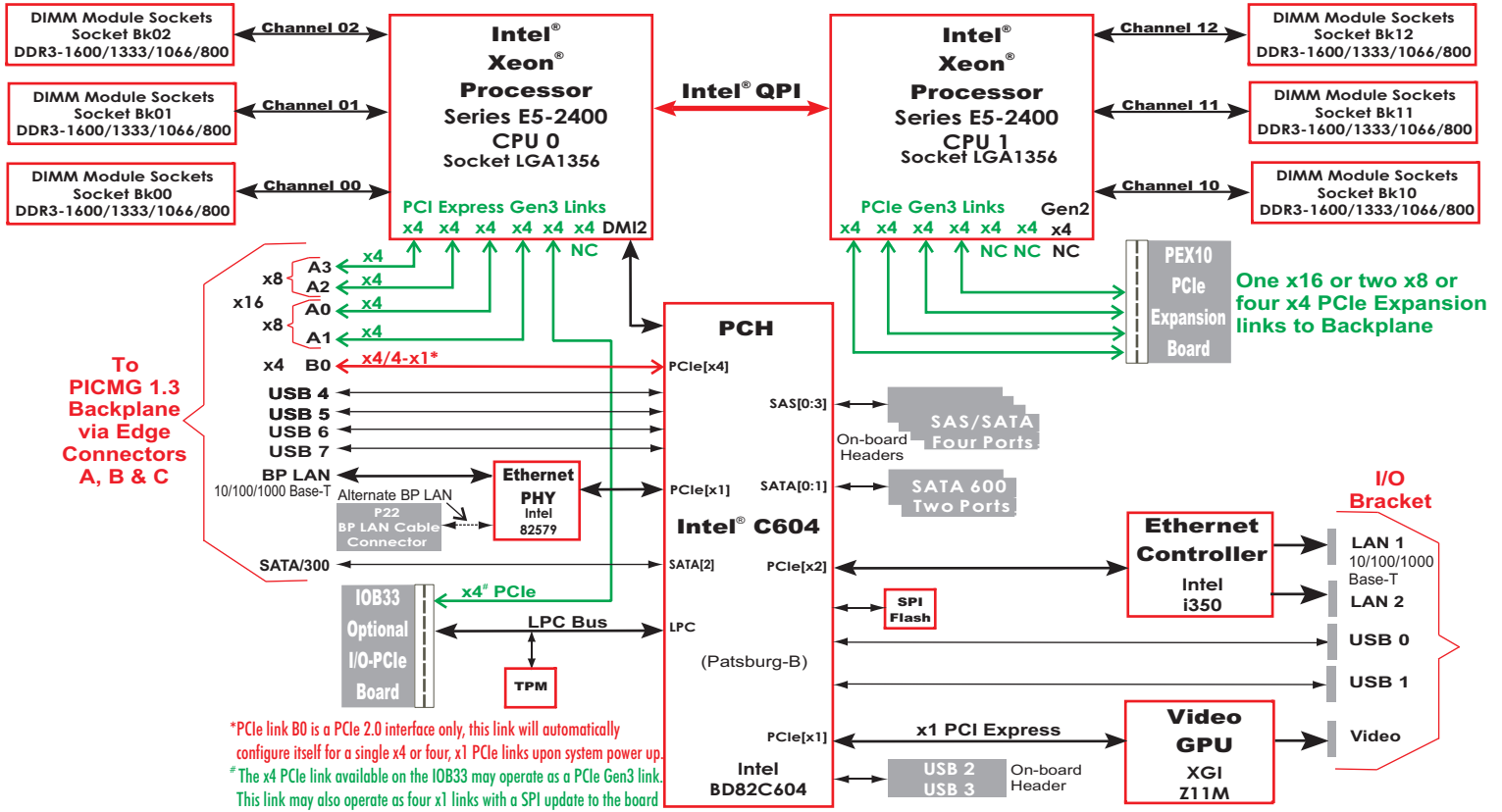
#### DDR3-1600 MEMORY INTERFACE:

The BXT7059's memory interface is a six-channel interface with three channels on each Intel® Xeon® E5-2400 Series Processor. The long-life Intel® Xeon® E5-2448L operates at the DDR3-1600 memory interface speed with peak data transfer rates up to 1600 MT/s per channel. All processors shall use DDR3-1600 Mini-DIMMs on the SHB; however, CPUs like the Intel® Xeon® E5-2430 will clock-down to the DDR3-1333 memory interface speed. ECC registered memory must be used on the BXT7059 and Trenton recommends PC3-12800, DDR3-1600 Mini-DIMMs for all BXT7059 processor options. A maximum memory capacity of 48GB is supported when using 8GB DDR3 Mini-DIMMs.

#### SERIAL ATTACHED SCSI & SERIAL ATA PORTS:

An integrated Serial Attached SCSI (SAS) / Serial ATA (SATA) controller in the Intel® C604 PCH provides support for either four SAS and two SATA ports or six SATA ports. Two SATA ports deliver data transfer rates up to 600MB/s while the remaining four ports support 300MB/s transfers. Independent SAS/SATA drive operation and RAID drive array configurations are supported. An additional SATA/300 interface is routed to edge connector C for use on a backplane.





## UNIVERSAL SERIAL BUS INTERFACES (USB 2.0):

There are eight USB 2.0 interfaces on the BXT7059 SHB. USB ports 0 and 1 are located on the I/O bracket, on-board header contain ports 2 and 3, and USB ports 4, 5, 6 and 7 are routed to the SHB's edge connector C for use on backplanes that support the optional PICMG 1.3 USB interface capability.

## OPTIONAL PEX10 PCI EXPRESS LINK EXPANSION:

An optional PEX10 PCIe expansion board has a x16 PCIe edge connector that routes additional PCI Express links from the rear connector on the BXT7059 SHB down to a system backplane. This enables expanded x4, x8 and x16 system interface capabilities beyond the PICMG 1.3 specification.

## ADDITIONAL PRODUCT FEATURES:

### I/O Features:

- Optional IOB33 expansion board provides:
  - x4 PCIe link routing to backplane PCIe Expansion Slot
  - Enhanced bi-directional parallel interface
  - PS/2 mouse and keyboard interface (mini DIN connector)
  - Floppy drive interface and two high-speed serial ports
- The BXT7059 provides a watchdog timer (WDT) with seven programmable timeout periods of 32 msec., 128 msec., 512 msec., 1 sec., 4 sec., 8 sec. or 32 sec. When enabled the WDT generates a system reset. WDT control is supplied via the General Purpose I/O pins from the Intel C604 Platform Controller Hub (PCH).

## BIOS (FLASH):

BXT7059 board use Aptio® 4.x BIOS from American Megatrends, Inc. or AMI. The board's BIOS resides in the SHB's SPI Flash device to simplify field upgrades and BIOS customization.

## APPLICATION CONSIDERATIONS:

### Power Requirements:

Typical Values\* - Static Desktop (Idle) with 24GB of system memory

CPU	Intel® No.	+5V	+12V	+3.3V
2.2GHz	E5-2430 <sup>6</sup>	1.30A	3.73A	4.15A
2.2GHz	E5-2407 <sup>4</sup>	1.22A	3.08A	3.89A
1.8GHz	E5-2448L <sup>8</sup>	1.34A	4.06A	4.11A
1.8GHz	E5-2428L <sup>6</sup>	1.30A	3.89A	4.18A

Typical Values\* - 100% Stress State with 24GB of system memory

CPU	Intel® No.	+5V	+12V	+3.3V
2.2GHz	E5-2430 <sup>6</sup>	1.34A	15.11A	4.55A
2.2GHz	E5-2407 <sup>4</sup>	1.31A	8.86A	4.21A
1.8GHz	E5-2448L <sup>8</sup>	1.37A	11.60A	4.49A
1.8GHz	E5-2428L <sup>6</sup>	1.34A	10.27A	4.55A

8 = Eight-core CPU, 6 = Six-core CPU, 4 = Four-core CPU

### Temperature/Environment:

Operating: 0° to 50° C. / Storage: -20° to 70° C.  
 Air Flow Requirement: 350LFM continuous airflow  
 Humidity: 5% to 90% non-condensing

### Mechanical:

The standard cooling solution used on the BXT7059 enables placement of option cards approximately 2.15" (54.61mm) away from the top component side of the SHB. Contact Trenton for a consultation if your application needs a lower profile cooling solution. The overall board dimensions are 13.330" (33.858cm) L x 4.976" (12.639cm) H.

## STANDARDS:

- PCI Express® Base Specifications 3.0, 2.0 and 1.1
- SHB Express® System Host Board PCI Express Specification - PCI Industrial Computer Manufacturers Group (PICMG®) 1.3

## ORDERING INFORMATION:

Part Number	CPU Speed	Intel® No. #
392705901400000	2.2GHz	E5-2430 <sup>6,E,T</sup>
392705902400000	2.2GHz	E5-2407 <sup>4,U</sup>
392705903200000	1.8GHz	E5-2448L <sup>8,E,S</sup>
392705904100000	1.8GHz	E5-2428L <sup>6,E,T</sup>

8 = Eight-core, 6 = Six-core, 4 = Four-core, E = Long-life embedded CPU, S = DDR3-1600, T = DDR3-1333, U = DDR3-1066 max memory interface speed, # = All CPUs except the E5-2407 have Intel® Hyper-Threading

## AGENCY APPROVALS:

UL60950, CAN/CSA C22.2 No. 60950-00, EN55022:1998 Class B, EN61000-4-2:1995, EN61000-4-3:1997, EN61000-4-4:1995, EN61000-4-5:1995, EN61000-4-6:1996, EN61000-4-11:1994

The stated processing, memory and communication interface speeds and bandwidths are component maximums; actual system performance may vary.

Intel, Intel Xeon, Intel Hyper-Threading Technology, Intel VT, Intel AMT, Intel AVX, Intel TXT and Intel DCMI are trademarks or registered trademarks of Intel Corporation. All other product names are trademarks of their respective owners

\*Note: Intel AMT implementation does not support KVM functionality.

Copyright ©2013 by TRENTON Systems Inc. All rights reserved

