

# TSS5203

## TRENTON 5U RACKMOUNT DATA STORAGE SERVER



**Trenton TSS5203 Rackmount Storage Server**  
Shown with a three-segment configuration

### FEATURES

- Fifty-two (52) front access and internal storage drive capacity
- Support for forty-eight (48) front access hot swap 2.5" data storage drives
- Four internal fixed mount drives deliver additional operating system, device driver and application software security and segmentation
- Front access 2.5" drive carriers support solid state drives (SSDs) or HDDs
- Three-segment configuration enables application storage flexibility and control
- Front-panel status LEDs, front-access USB ports and segment control switches
- Rugged, lightweight aluminum chassis design is an ideal choice for high shock and vibration environments
- Long-life server platform designed for extended field deployments
- Made in USA for long-life stability and dependability

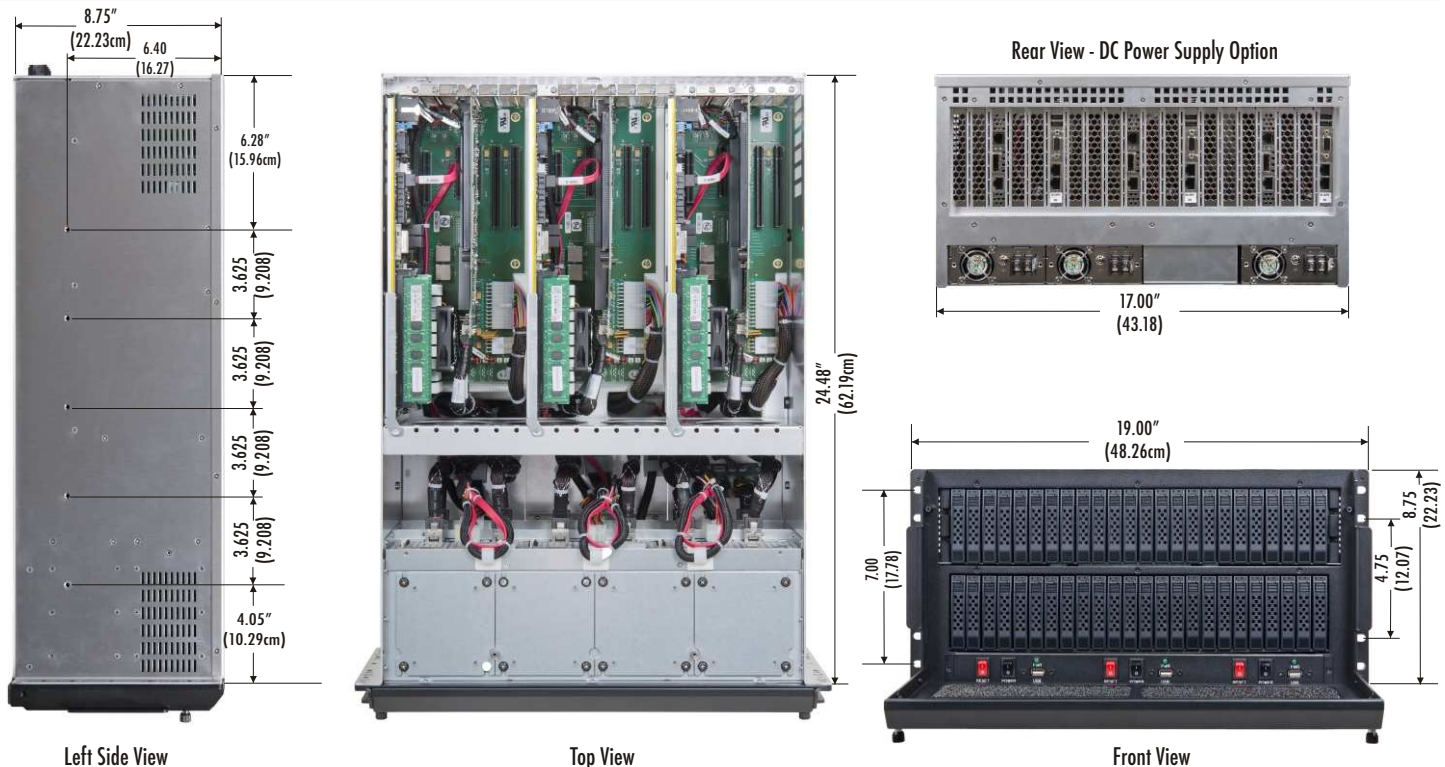


### TSS5203 OVERVIEW:

The TSS5203 rackmount data storage server is designed to enable large data storage capacities in applications that require a high-degree of security, system longevity and rugged Made In USA system performance. This approach makes the Trenton TSS5203 rackmount storage server an ideal data storage platform for government & defense applications such as missile telemetry, secure cross domain networks, radar data monitoring and airborne manned surveillance. The TSS5203 is also an ideal data storage platform for non-military telecommunications, data centers and broadcasting applications.

The TSS5203 is a 5U rackmount storage server that utilizes a 3-segment design approach for maximum data security and control. Three small form factor backplanes and your choice of dual or single-processor SBCs with the latest multi-core processor options are used in the server. Three RAID controller cards provide the control needed for the bank of forty-eight (48) front access hot swap storage drives. Support for either AC or DC system power is available and each TSS5203 comes with the long-life cycle stability and peace-of-mind provided by SBC and backplane availability of seven-years or more.

### TSS5203 STORAGE SYSTEM/SERVER LAYOUT - 3-SEGMENT CONFIGURATION:



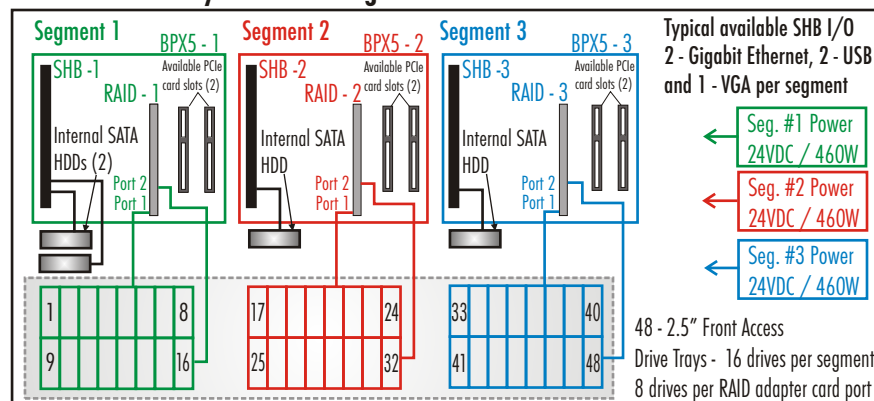
### TRENTON STORAGE SYSTEM/SERVER: TSS5203

SERVER MODEL	DESCRIPTION
TSS5203	5U rackmount storage server chassis that features 48 front access hot swap 2.5" drive carriers that support a wide variety of HDD or SSD types, 3-segment system control with a choice of single or dual-processor system host boards and AC or DC system power supply options

## TECHNICAL SPECIFICATIONS:

MODEL NAME	TSS5203
DESCRIPTION	5U 24.5" deep rackmount storage server with 48 front access drive carriers and four internal 2.5" drive bays with a choice of SBC and power supply options
CHASSIS STANDARD	EIA RS-310C 19" Rackmount Standard
CONSTRUCTION	Lightweight Rugged Aluminum
COLOR	Black
DATA STORAGE CAPACITY	Drive type and individual drive capacity dependent, 2.5" front access driver carriers support 15mm thick 1TB or greater HDDs, 26TB - 104TB* typical when using 2.5" HDDs, 15.6TB - 41.6TB* when using 2.5" SSDs *Maximum capacity increases with larger capacity drives
PICMG 1.3 SHB OPTIONS	Dual-Processor PICMG 1.3 SHBs - Trenton BXT7059 and JXT6966 plus other industry standard PICMG 1.3 SHBs Single-Processor PICMG 1.3 SHBs - Trenton BXTS7059, TSB7053, JXTS6966 and TQ9 plus other industry standard PICMG 1.3 SHBs
PICMG 1.3 BACKPLANE	3 - Trenton BPX5 PCI Express backplanes (Other industry standard PICMG 1.3 backplane options are available.)
RAID ADAPTER CARDS	3 - PCI Express Areca SATA RAID adapter cards (ARC-1880ix-16-4G) with one card per segment (Other RAID adapter cards are available upon request.)
DRIVE BAYS	48 - Front access hot swap and 4 - Fixed, 2.5" HDD/SSD bays
POWER SUPPLY	1 - 1U, fixed, rear access per segment, choice of 90-240VAC (550W) or 24VDC (460W) power supply, other power supply options available upon request
INDICATORS	3 - LEDs for System Power ON/OFF (one power LED per segment)
FRONT CONNECTOR PORTS	3 - USB (one USB port per segment)
SWITCH	3 - SHB Power ON/OFF and 3 - SHB Reset switches (one set of switches per segment)
HOLD DOWN BAR	Flexible hold down bar for the SHB and the RAID adapter cards for added security in high vibration environments
AIR FILTER and SYSTEM COOLING	Front access system filter for cleaning and maintenance and Four - 92mm Ball Bearing Fans, 102CFM each
METRIC DIMENSIONS	48.26cm (W) x 22.23cm (H) x 62.19cm (D)
ENGLISH DIMENSIONS	19.00" (W) x 8.75" (H) x 24.48" (D)
CHASSIS NET WEIGHT	78.0 Lbs. (35.4 Kgs.) - includes chassis + three single-processor SBCs + three BPX5 backplanes + three DC power supplies

## Trenton TSS5203 System Block Diagram



\*NOTE: The chassis photos are shown for illustrative purposes only. See the Trenton website for chassis layout drawings and the latest system configuration options.

PICMG is a registered trademark of the PCI Industrial Computer Manufacturers Group. Microsoft is a registered trademark of Microsoft Corporation. Areca is a registered trademark of Areca Technology Corporation. All other product and/or company names are trademarks or registered trademarks of their respective owners.

Copyright ©2012 by TRENTON Systems Inc., All rights reserved

