

Drill position targeting system for aircraft manufacture & MRO

Smart tooling solutions for aerostructures

HALOSENSOR® is a Business Unit within AB Elektronik, a subsidiary of TT electronics plc.

TT electronics plc is a focused, global electronics company supplying the world's leading manufacturers in the defence, aerospace, medical, automotive and industrial electronics markets.

Through its divisions, TT electronics provides a comprehensive range of advanced technology, application-specific engineered solutions and standard products, supported by world-class manufacturing facilities and application engineering teams.

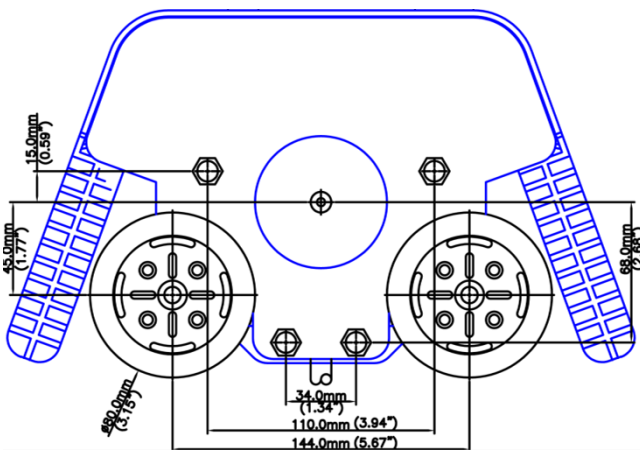
- Locate hole position from outside the aircraft skin
- Used in the manufacture of all Airbus aircraft
- An alternative to back drilling
- High accuracy levels
- Reduces concessions and waste
- Simple to use; robust in harsh production environments
- All new custom display system

HALOSENSOR® currently used in production at:

- Airbus
- Boeing
- Bombardier
- Embraer
- Lockheed Martin
- Hawker
- BAE Systems
- Dassault
- Spirit Aerosystems
- many other airframe manufacturers
- Military and Civilian MRO

Hand held system

- 1 sensor head, drill block and vacuum system
- 1 targeting computer and mount
- 1 power supply box
- 1 charger
- All cables and mounts required for use (shop air connector not supplied due to variety)



HEHS00003CTE

Power Full charge allows up to 24 hours use

Range Up to 55 mm (2")

Accuracy Up to 0.1 mm (0.004")

For close to edge applications

This catalogue gives no information on product availability. The information is only for product description and is not legally binding. Any technical item is subject to change. HALOSENSOR® is a registered trademark of TT electronics Technology Ltd.