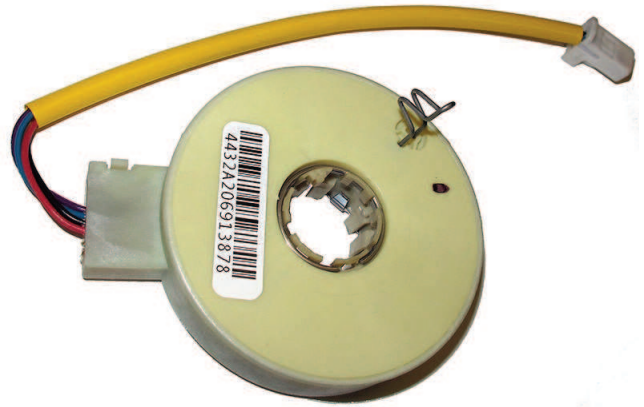


SX-4432

LH3 Steering Torque Sensor

The LH3 torque sensor is ideally suited for demanding Electric Power Steering systems.



ELECTRICAL¹

Torque Signal Linearity	±3%
Torque Hysteresis	0.5%
Torque Signal Microgradient	±30% of theoretical slope over 0.4° interval
Torque Signal Sensing Angle	±8°
Total Resistance	833 Ω ±30%

MECHANICAL

Torque Mechanical Travel	±11.4°
Turning Torque (rotor to rotor)	0.03 NM Max.
Turning Torque (rotor to housing)	0.06 NM Max.
Weight	95 grams maximum

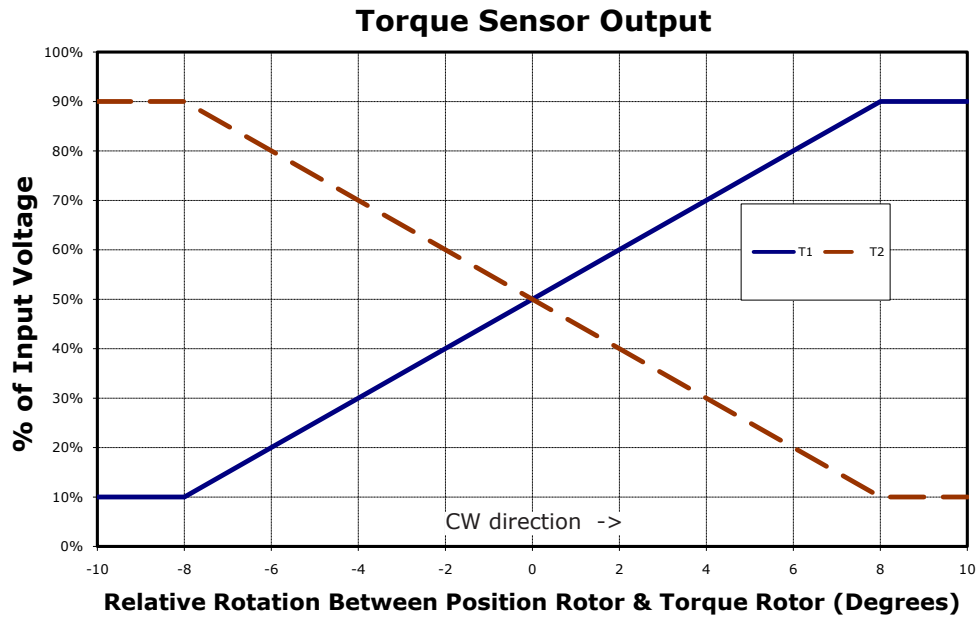
ENVIRONMENTAL

Operating Temperature Range	-40°C to +85°C
Shock	14 ms half-sine at 300 m/s ²
Vibration	10 to 55 Hz with 1 mm P-P constant displacement, 120 hours each of 3 planes
Torque Rotational Life	1 million cycles
Storage Temperature Range	-40°C to +105°C

¹ Specifications subject to change without notice. Complete specifications and test methods per BI Technologies specification HEP 32055

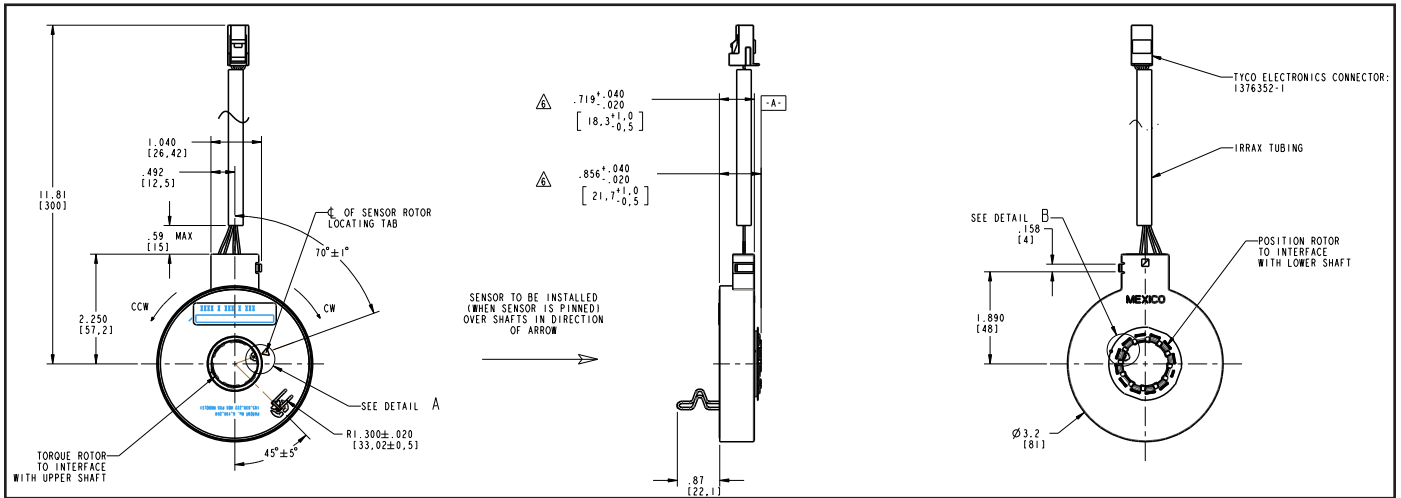
SX-4432

OUTPUT CHART



SX-4432

OUTLINE DRAWING



Tolerances ± 0.25 mm unless otherwise specified. See drawing # 122-4432-80 for details.

PINOUTS

VIEW FROM
WHERE WIRES ENTER
CONNECTOR

TYCO CONNECTOR: 1376352-1			
4	3	2	1
8	7	6	5

PIN No.	SIGNAL	WIRE COLOR
1	NOT USED	- - -
2	NOT USED	- - -
3	Vcc	RED
4	T2	PURPLE
5	NOT USED	- - -
6	NOT USED	- - -
7	GND	BLACK
8	T1	BLUE

SX-4432

RECOMMENDED INTERFACE

