

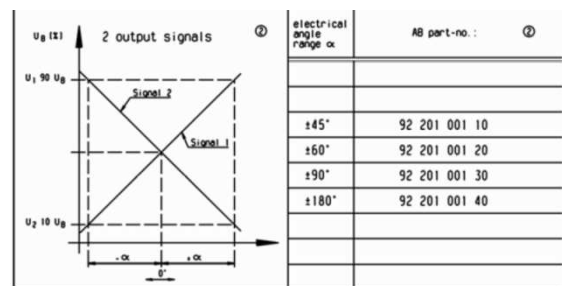
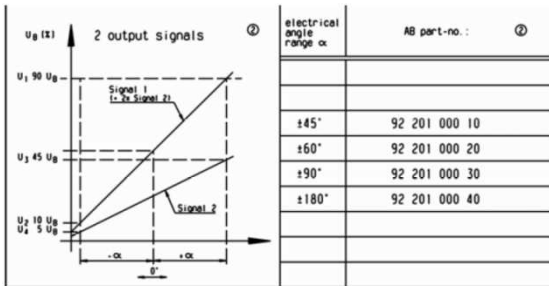
Data sheet

Angle sensor (Hall)

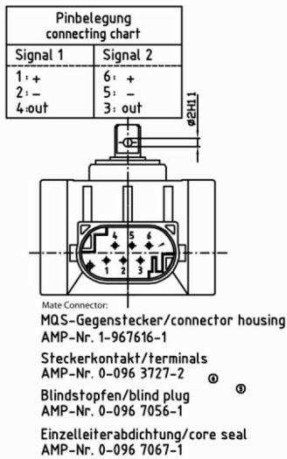
92201



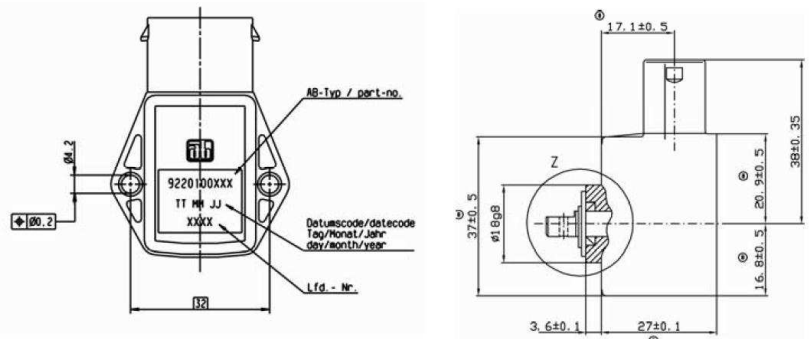
Angle range (degrees)



Connector



Dimensions



Supply

5 V, 6 mA max. per signal

Temperature range

40 °C to + 120 °C
 (+ 130 °C / 1 h)

Output signal

voltage interface 2 signal

Sealing grade

IP 67 / IP 69

This catalogue gives no information on product availability. The information is only for product description and is not legally binding. Any technical item is subject to change.