

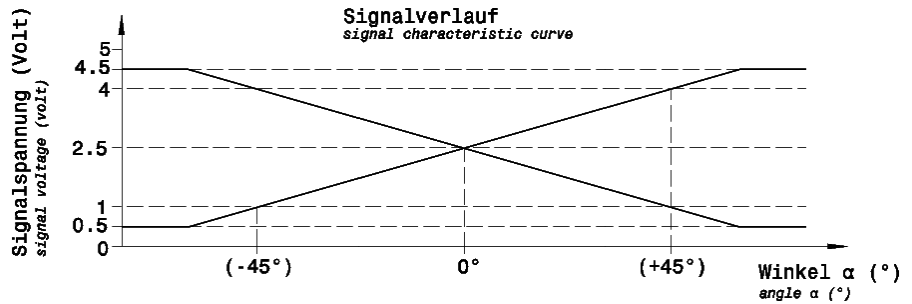
Data sheet

Angle sensor (Hall)

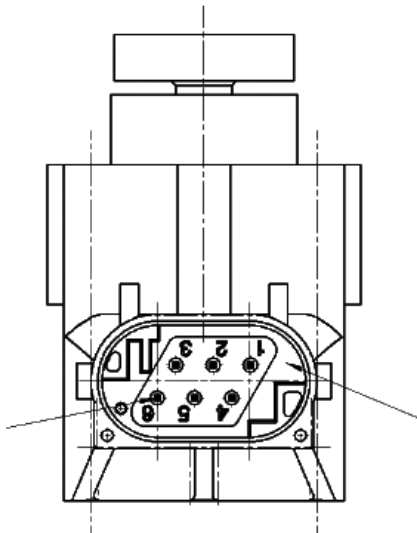
91840



Anale ranee (dearees)

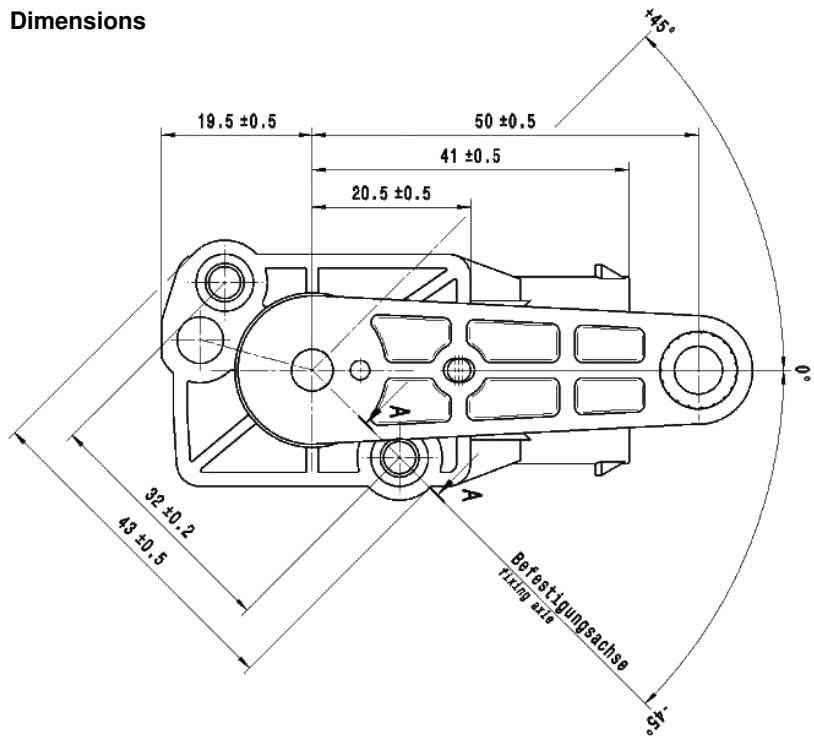


Connector



	Signal 1	Signal 2
+	5	5
-	1	1
out	4	6

Dimensions



Supply 5 V ± 0.25 V

Temperature range - 40 °C to + 100 °C
(+ 120 °C / max. 1h)

Output signal 2 signals

Sealing grade IP 6K6 and IP 6K9K
(with mating connector inserted)

This catalogue gives no information on product availability. The information is only for product description and is not legally binding. Any technical item is subject to change.