

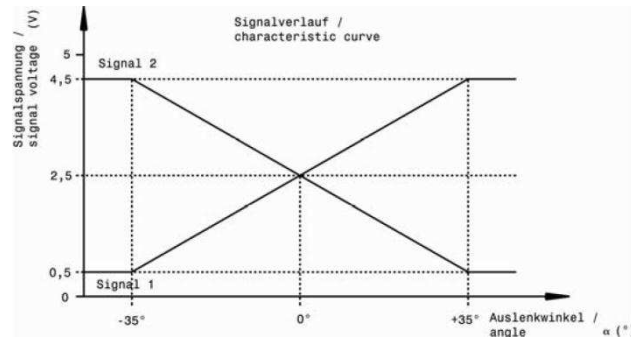
Data sheet

Angle sensor (Hall)

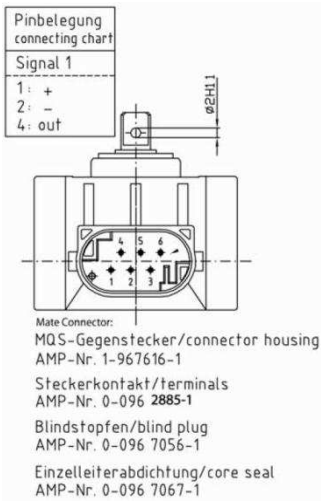
91400



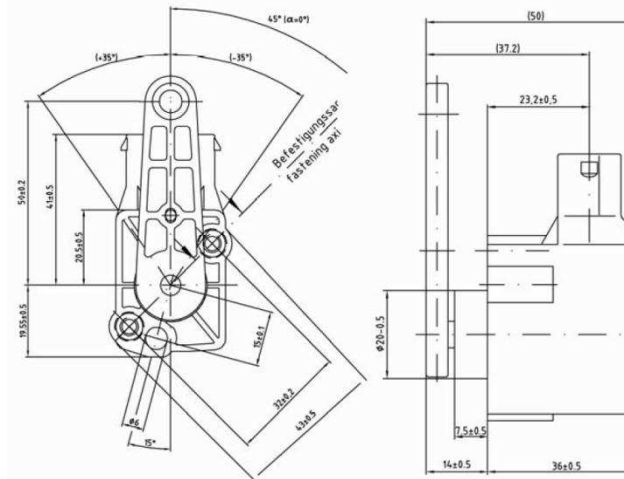
Angle range (degrees)



Connector



Dimensions



Supply	5 V, 6 mA max. per signal	Temperature range	- 40 °C to + 120 °C (+ 130 °C / 1h)
Output signal	analogic, 1 signal	Sealing grade	IP 67 / IP 69

This catalogue gives no information on product availability. The information is only for product description and is not legally binding. Any technical item is subject to change.