

Data sheet

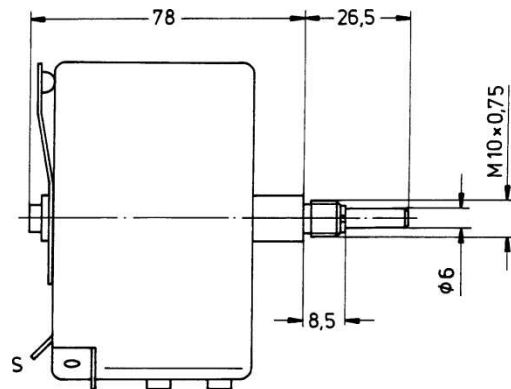
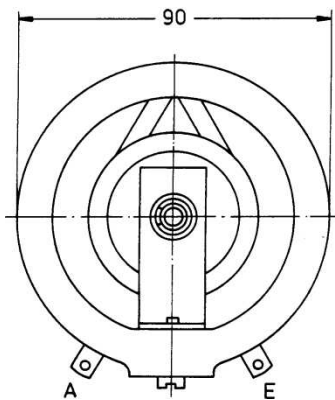
Heavy duty wirewound potentiometers

Ordering code no.: 31 913



Series 150 W
Type 150 W

Basic design: high load, nominal width 90 mm, solder tag terminals



Technical data

Rated resistance range	5 Ω – 2 kΩ	Isolation voltage	2000 V eff
Resistance tolerance	± 10 %	Electrical travel	280°
Law (resistance taper)	lin, lg on request	Mechanical travel	296°
Rated dissipation	150 W / 40 °C	Weight	approx. 450 g / piece

Technical details subject to change

This catalogue gives no information on product availability. The information is only for product description and is not legally binding. Any technical item is subject to change.