

Data sheet

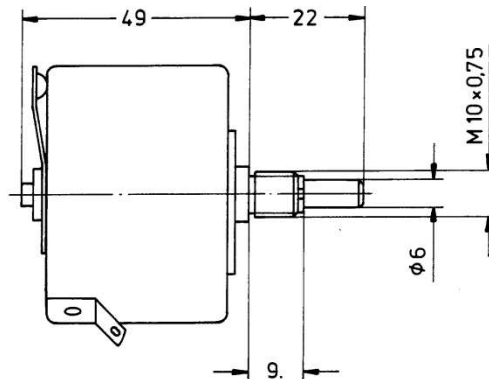
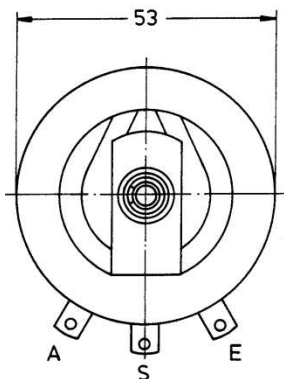
Heavy duty wirewound potentiometers

Ordering code no.: 31 912



Series 60 W
Type 60 W

Basic design: high load, nominal width 55 mm, solder tag terminals



Technical data

Rated resistance range	4.7 Ω – 4.7 kΩ *	Isolation voltage	2000 V eff
Resistance tolerance	± 10 % (5 %, 2 %)	Electrical travel	262°
Law (resistance taper)	lin, lg on request	Mechanical travel	282°
Rated dissipation	60 W / 40 °C	Weight	approx. 160 g / piece

* Higher values on request

Technical details subject to change

This catalogue gives no information on product availability. The information is only for product description and is not legally binding. Any technical item is subject to change.