

Data sheet

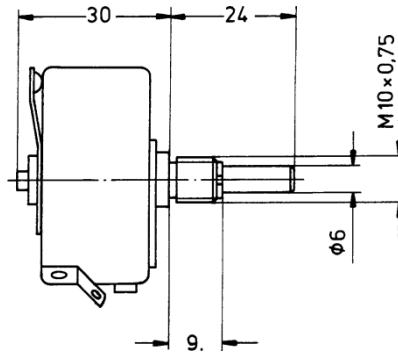
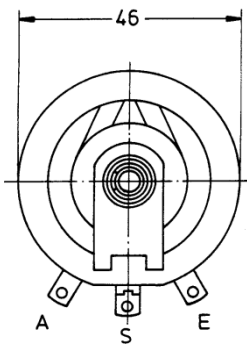
Heavy duty wirewound potentiometers

Ordering code no.: 31 911



Series 30 W
Type 30 W

Basic design: high load, nominal width 46 mm, solder tag terminals



Technical data

| | | | |
|------------------------|---------------------------------|-------------------|----------------------|
| Rated resistance range | 4.7 Ω – 4.7 k Ω * | Isolation voltage | 2000 V eff |
| Resistance tolerance | $\pm 10\%$ (5 %, 2 %) | Electrical travel | 270° |
| Law (resistance taper) | lin, lg on request | Mechanical travel | 287° |
| Rated dissipation | 30 W / 40 °C | Weight | approx. 70 g / piece |

This catalogue gives no information on product availability. The information is only for product description and is not legally binding. Any technical item is subject to change.