

Data sheet

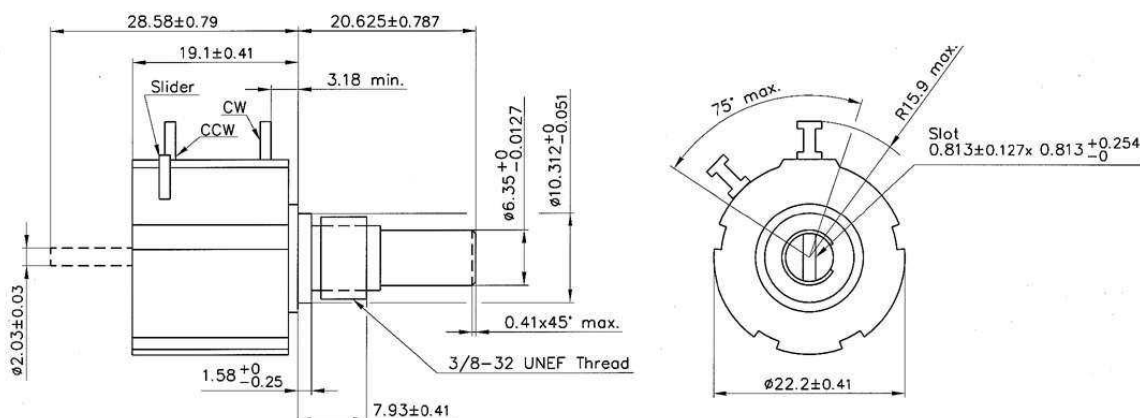
Wirewound rotary potentiometers

Ordering code no.: 31 156



Series 7280
Type 7286

Basic design: 10 turns precision potentiometer, nominal width 22.2 mm



Technical data

Rated resistance range	100 Ω – 100 kΩ	Temperature range	-40 °C to + 125 °C
Resistance tolerance	± 5 % *	Electrical travel	3600° + 10° - 0° > 100 Ω 3600° + 10° - 5° ≤ 100 Ω
Independent linearity	± 0,25 % *	Mechanical travel	3600° + 15° - 0°
Rated dissipation	2.0 W / 70 °C (derating to 0 W / 125 °C)	Operating torque	max. 0.56 Ncm
Insulation resistance	min. 1 GΩ	Durability	1 000 000 cycles

* Other values on request

Technical details subject to change

This catalogue gives no information on product availability. The information is only for product description and is not legally binding. Any technical item is subject to change.