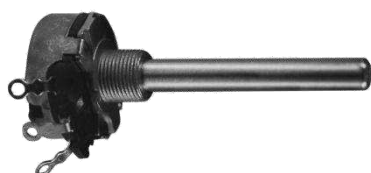


## Data sheet

### Wirewound rotary potentiometers

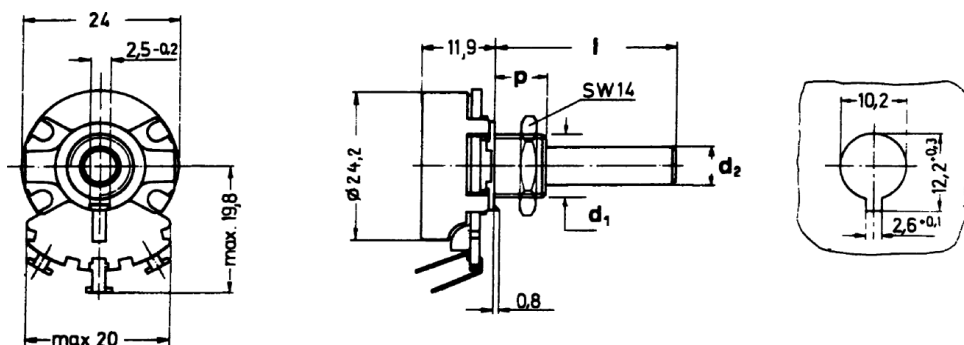
Ordering code no.: 31 046 .....



Series AW  
Type AW

Standard version with nut  
Special accessories : washer

Basic design: encased, nominal width 24 mm,  
solder tag terminals



### Technical data

Rated resistance range	5 Ω – 25 kΩ	Temperature range	-40 °C to + 90 °C
Resistance tolerance	± 10 % (< 10 Ω ± 20 %) on request ± 5 %, ± 2 %	Temperature coefficient	see table
Law (resistance taper)	lin	Electrical travel	280° ± 5°
Independent linearity	± 0,2 %	Mechanical travel	300° ± 10°
Rated dissipation	4 W / 40 °C	Operating torque	0.7 – 3.6 Ncm
Limiting element voltage	500 V	End stop torque	115 Ncm
Isolation voltage	1 kV~	Durability	10 000 cycles

### Spindles

- Metal, plastic moulded on request (see table)

l (mm)	p (mm)	d2 (mm)	d1
standard 50	8 or 12	6	M10 x 0.75

Technical details subject to change

### Temperature coefficient and resolution

RN	10 Ω	25 Ω	50 Ω	100 Ω	250 Ω	500 Ω	1 kΩ	2.5 kΩ	5 kΩ	10 kΩ	25 kΩ
TC-value ppm / °C	+400	+ 400	+ 40 - 80	+ 40 - 80	+ 40 - 80	+ 140	± 20	± 20	± 20	± 20	± 20
Resolution %	0.75	0.75	0.7	0.5	0.35	0.35	0.3	0.3	0.2	0.15	0.13

This catalogue gives no information on product availability. The information is only for product description and is not legally binding. Any technical item is subject to change.