

Data sheet

Wirewound rotary potentiometers

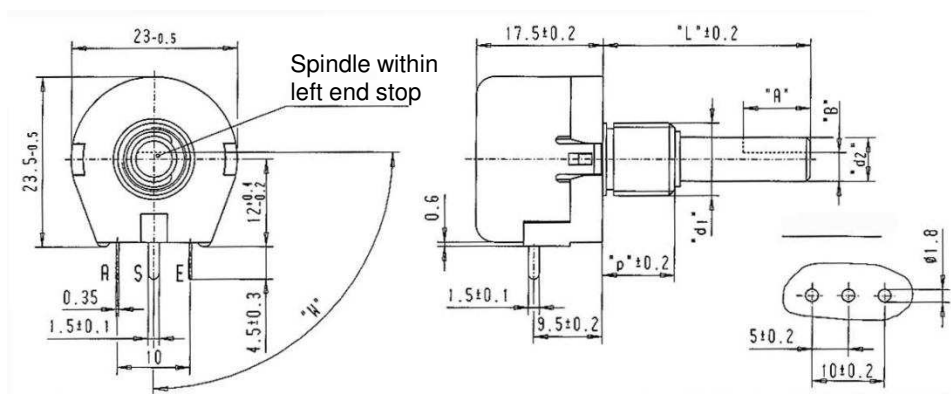
Ordering code no.: 31 096



Series ABW 1
Type ABW 1 / P

Standard version with nut
Special accessories : washer or locating key

Basic design: encased, nominal width 23 mm,
terminals for printed circuit board



Technical data

Rated resistance range	5 Ω – 22 kΩ	Temperature coefficient	see table page 84
Resistance tolerance	± 10 % (< 10 Ω ± 20 %) on request ± 5 %	Insulation resistance	1 GΩ
Law (resistance taper)	lin (lg on request)	Electrical travel	265° ± 5°
Independent linearity	± 2 % (on request ± 1 %)	Mechanical travel	285° ± 5° on request 270° ± 5°
Rated dissipation	1 W / 40 °C	Operating torque	0.8 – 3 Ncm
Limiting element voltage	300 V	End stop torque	100 Ncm
Insulation voltage	1 kV ~	Durability	10 000 cycles
Temperature range	-40 °C to + 90 °C		

Spindles

- Metal or plastic moulded (see table)
- End of spindle according to customer specification (length, flat)

l (mm)	p (mm)	d2 (mm)	d1
standard 50	10, on request 5	6	M10 x 0.75

Technical details subject to change

This catalogue gives no information on product availability. The information is only for product description and is not legally binding. Any technical item is subject to change.