

Data sheet

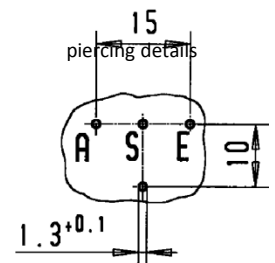
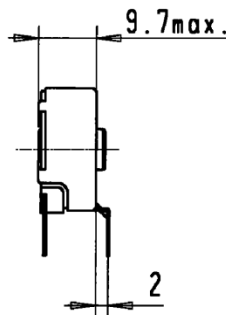
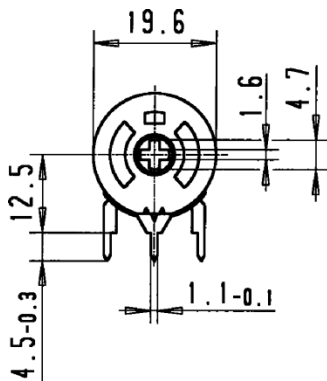
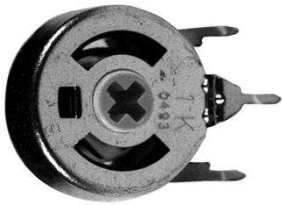
Wirewound preset potentiometers

Ordering code no.: 30 115

Series 115
Type PCV 115

Special assessiors

Basic design: metal encased



Technical data

Rated resistance range	1 Ω – 22 k Ω	Resolution	depends on resistance value ($\geq 1.5\%$, max 0.16 %)
Resistance tolerance	$\pm 10\%$ (< 10 Ω = $\pm 20\%$) on request $\pm 5\%$ (for values > 47 Ω)	Electrical travel	240° \pm 15°
Law (resistance taper)	lin	Mechanical travel	270° \pm 10°
Independent linearity	$\pm 2\%$ (on request $\pm 1\%$)	Operating torque	1 - 4 Ncm
Rated dissipation	2 W / 40 °C (also available with 3 W)	End stop torque	46 Ncm
Isolation voltage	750 V ~	Durability	500 cycles
Temperature range	-40 °C to + 90 °C	Tap	"Z" at 50 % of total resistance
Temperature coefficient	see table	Plastic moulded spindles	see page 57

Temperature coefficients

1 Ω – 22 Ω	22 Ω -120 Ω	120 Ω - 3,3 k Ω	3.3 k Ω - 20 k Ω
+ 250 to 1 300 ppm / °C	+ 40 - 80 ppm / °C	+ 150 ppm / °C	± 10 ppm / °C

Technical details subject to change

This catalogue gives no information on product availability. The information is only for product description and is not legally binding. Any technical item is subject to change.