

Data sheet

Rotary Potentiometer

Model P270



- 27 mm rotary potentiometer
- Long life - 1 million cycles
- Conductive plastic element
- Heavy duty applications
- Sealed unit available
- RoHS compliant

Model styles

Panel, solder lugs	P270	Panel, solder lugs, with center tap	P271
--------------------	------	-------------------------------------	------

Electrical ¹

Resistance range, Ohms	1 kΩ – 1 MΩ	Dielectric strength	1000 Vac, 1 minute
Standard resistance tolerance	± 10 %	Insulation resistance, min.	500 M ohms at 500 Vdc
Residual resistance	6 Ω max.	Silding noise	100 mV max.
Input voltage, max.	500 Vdc not to exceed power rating	Actual electrical travel, nominal	300°
Power rating, watts	2 watts @ 70°C	Electrical continuity, nominal	312°

Mechanical

Total mechanical travel	312° ± 5°	Rational torque, max.	Dust proof : 2.0.oz-in max. Sealed : 2.0 - 3.5 oz-in
Static stop strength	20 oz-in	Panel nut tightening torque	25 lb-in

Environmental

Operating temperature range	-55 °C to +120 °C	Rotational load life	1 M Cycles (10% ΔR)
-----------------------------	-------------------	----------------------	---------------------

¹ Specifications subject to change without notice.

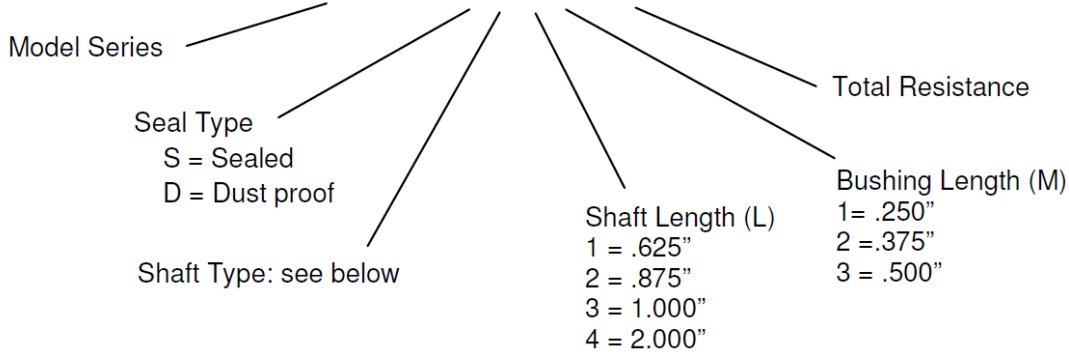
Data sheet

Rotary Potentiometer

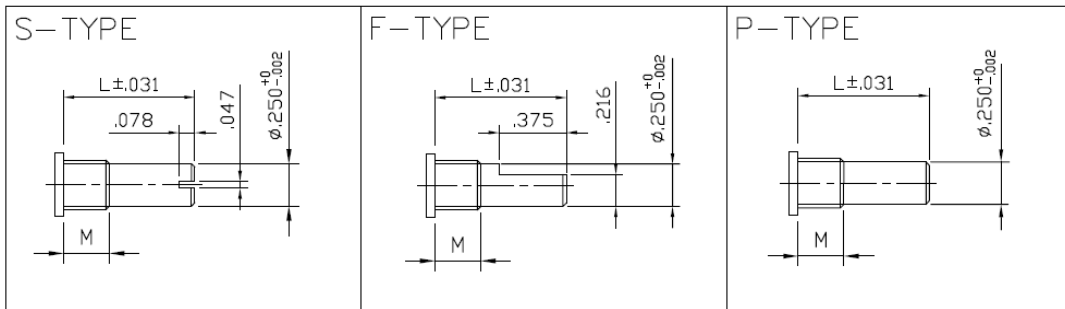
Model P270

Ordering information

P270 - S P 2 2 R100K



Shaft types



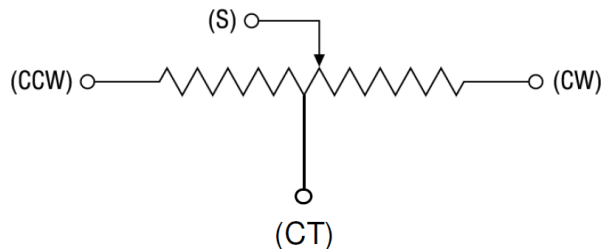
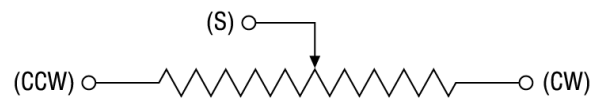
Standard resistance values, Ohms

1K 2K 5K 10K 20K 50K 100K 200K 500K 1MEG

Circuit diagram

P270 (without Center Tap)

P271 (with Voltage Center Tap)



² Contact our customer service for custom designs and features.

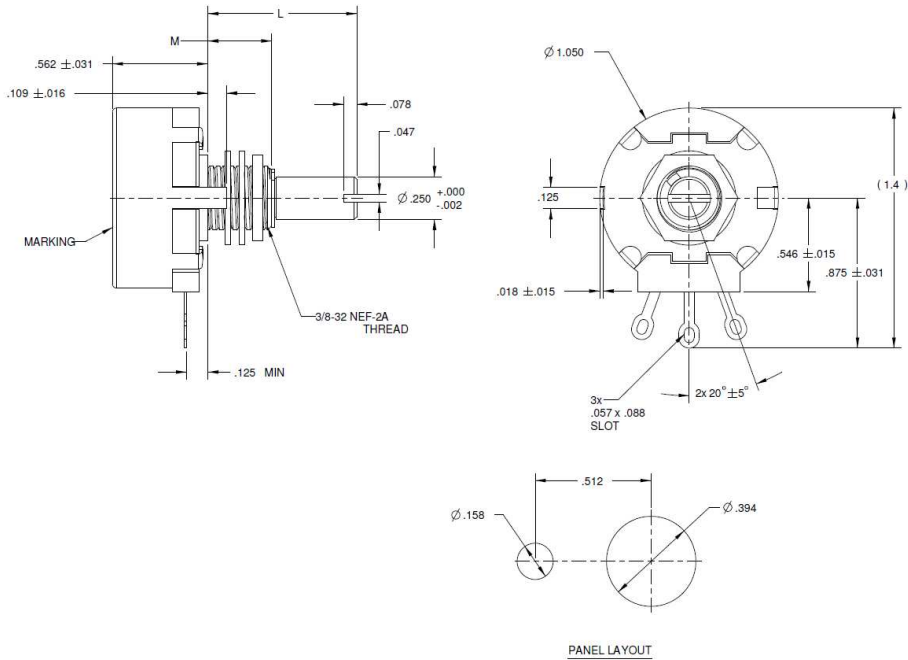
Data sheet

Rotary Potentiometer

Model P270

Outline drawing

Model 270



Model 271 (center tap)

