

Data sheet

Rotary Potentiometer

Model P160



- 16 mm
- Rotary potentiometer
- Conductive plastic element
- 100,000 cycle life metal shaft / bushing multi
- Ganged available RoHS compliant

Model styles

Side adjust, Solder lugs	P160KNP	Side adjust, PC pins, long pins	P160KN2
Side adjust, PC pins	P160KN	Rear adjust, PC pins	P160KNPD

Electrical

Resistance range	500-1M	Dielectric strength	500 Vac, 1 minute
Standard resistance tolerance	± 20 %	Insulation resistance, min	100 M ohms at 250 Vdc
Residual resistance	20 ohms max.	Sliding noise	100mV max.
Power rating input voltage, maximum	200 Vac max.	Actual electrical travel, nominal	260°
Power rated	0.2W- B taper, 0.1W-others		

Mechanical

Total mechanical travel	300°± 10°	Rational torque, max.	2.5 oz-in
Static stop strength	90 oz-in		

Environmental

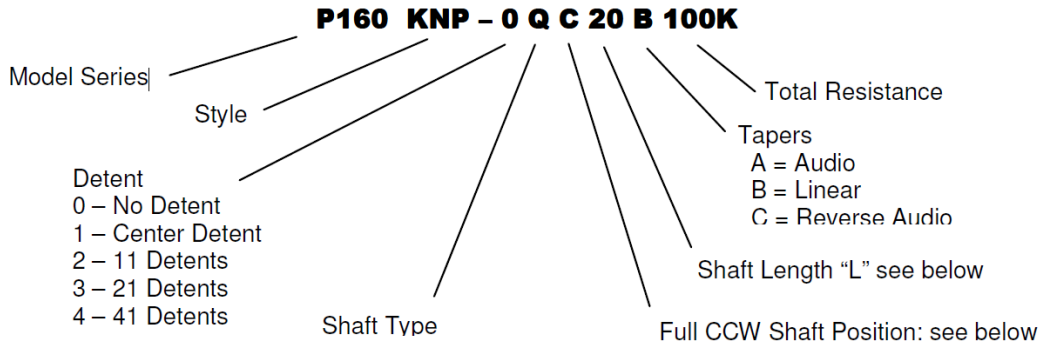
Operating temperature range	-20 °C to +70 °C	Rotational life	100.000 cycles
-----------------------------	------------------	-----------------	----------------

Data sheet

Model P160

Rotary Potentiometer

Ordering information

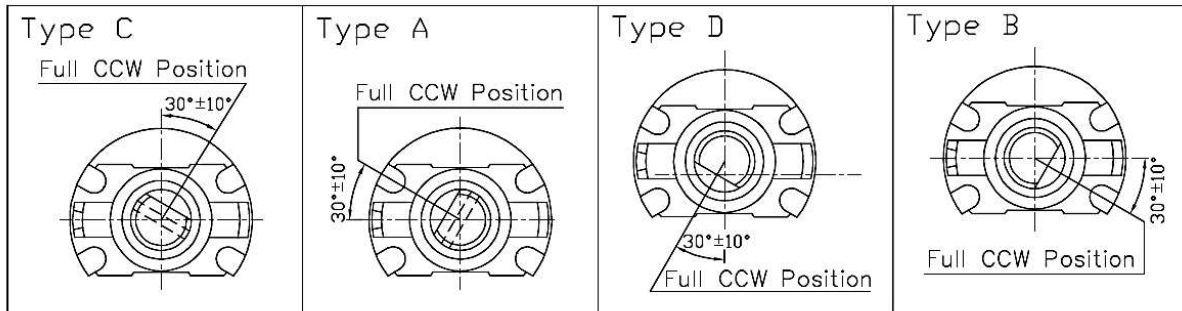


Shaft types

E-TYPE							F-TYPE						Q-TYPE													
L	10	15	20	25	30	35	L	15	18	20	25	30	35	L	10	12	13	14	15	17	20	25	30	35	45	
							T	7	10	12	12	12	12		T	2.5	4.5	4	5	6	8	10	12	12	12	12

Shaft Position (F-Type Shaft)

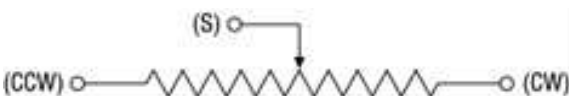
Dashed lines on Type "C" and Type "A" shows position of adjustment slot for E-Type and Q-Type shafts



Standard resistance values, Ohms

500 1K 2K 5K 10K 20K 50K 100K 200K 500K 1MEG

Circuit diagram

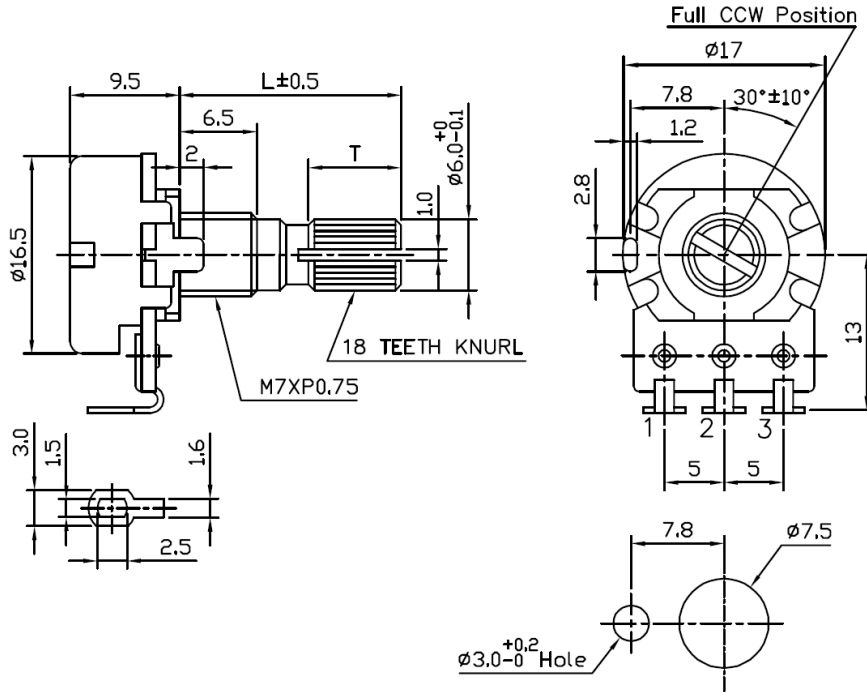


Data sheet

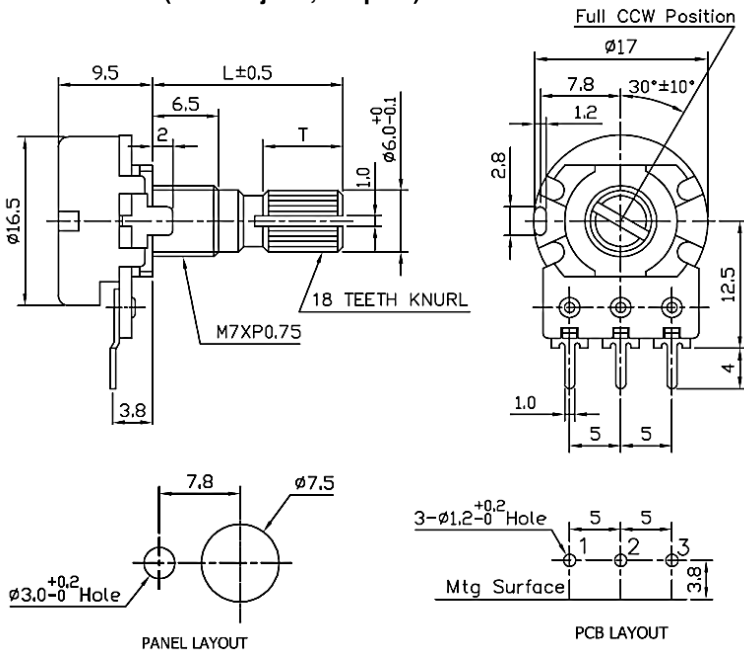
Rotary Potentiometer

Model P160

Model P160KNP (Side Adjust , Solder Lugs)



Model P160KN (Side Adjust , PC pins)

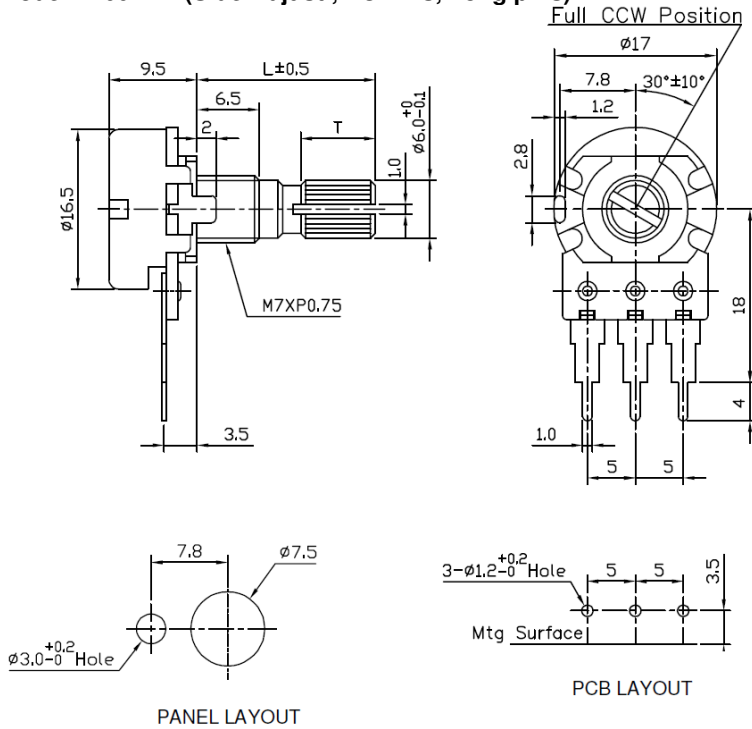


Data sheet

Rotary Potentiometer

Model P160

Model P160KN2 (Side Adjust , PC Pins, Long pins)



Model P160KNPD (Rear Adjust , PC Pins)

