

**Data sheet**

**Rotary Potentiometer**

**Model P090**



- 9 mm rotary potentiometer
- Insulated shaft
- Conductive plastic element
- 100.000 cycles life
- Snap-in clip
- RoHS compliant

**Model styles**

Side adjust	P090L	Top adjust	P090S
-------------	-------	------------	-------

**Electrical <sup>1</sup>**

Resistance range, Ohms	500 – 1M	Dielectric strength	250 Vac, 1 minute
Standard resistance tolerance	± 20 %	Insulation resistance, min.	100 M ohms at 250 Vdc
Residual resistance	20 ohms max.	Sliding noise	100 mV max.
Input voltage, maximum	50 Vac max.	Actual electrical travel, nominal	240°
Power rated	0.03 W		

**Mechanical**

Total mechanical travel	280°± 10°	Rational torque, max.	1.2 oz-in
Static stop strength	40 oz-in		

**Environmental**

Operating temperature range	-20 °C to + 70 °C	Rotational life	100.000 cycles
-----------------------------	-------------------	-----------------	----------------

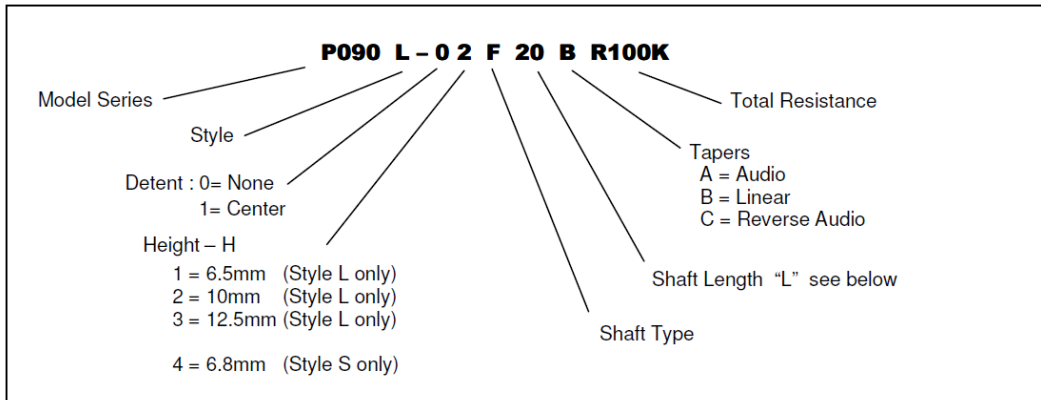
<sup>1</sup> Specifications subject to change without notice.

**Data sheet**

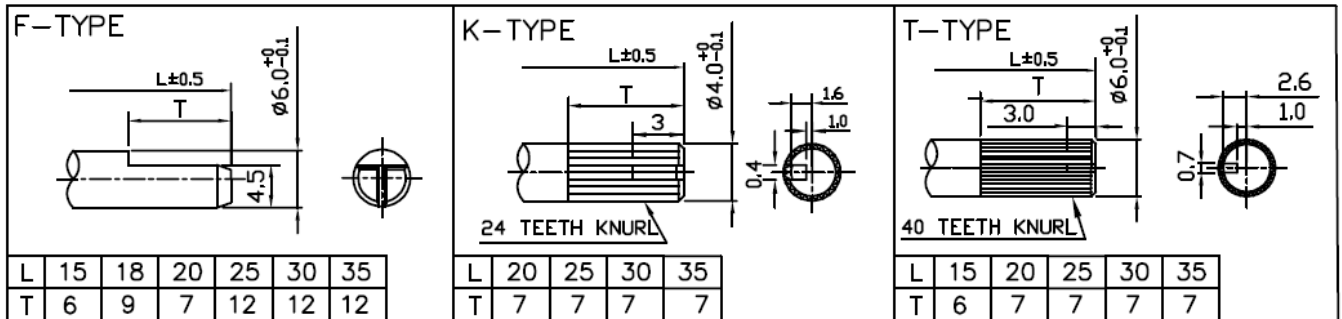
**Rotary Potentiometer**

**Model P090**

**Ordering information<sup>2</sup>**



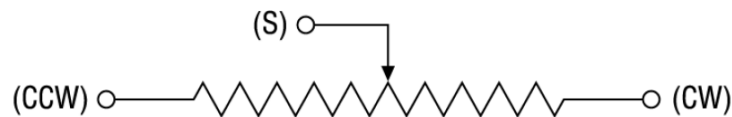
**Shaft types**



**Standard resistance values, Ohms**

500    1K    2K    5K    10K    20K    50K    100K    200K    500K    1MEG

**Circuit diagram**



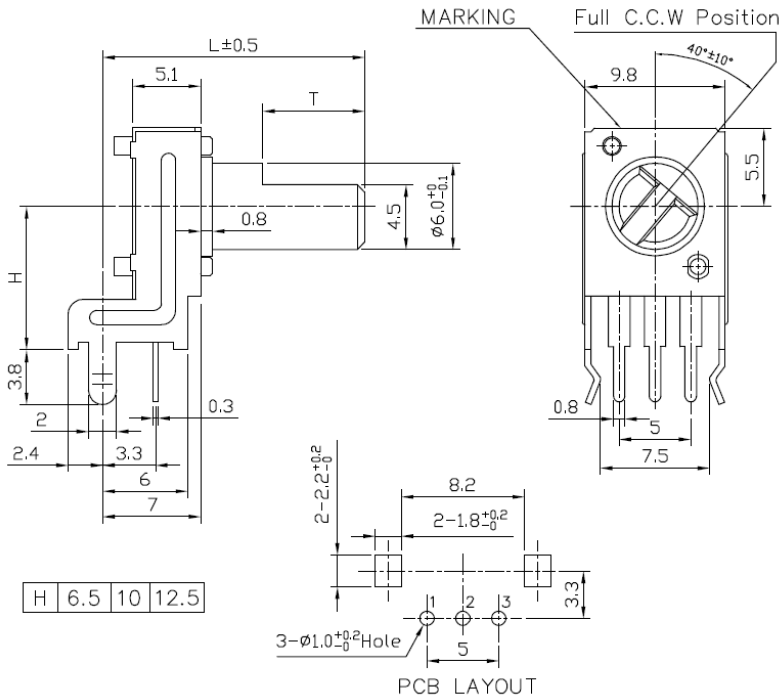
<sup>2</sup> Contact our customer service for custom designs and features.

**Data sheet**

**Rotary Potentiometer**

**Model P090**

**Outline drawing  
Model P090L (Side Adjust)**



**Model P090S (Top Adjust)**

