

Data sheet

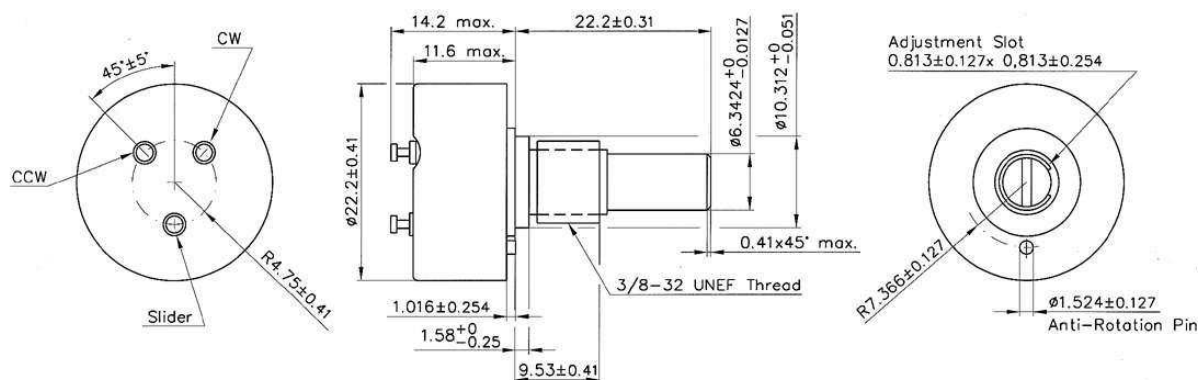
Conductive plastic rotary potentiometers

Ordering code no.: 41 152.....



Series 6180
Type 6187

Basic design: precision potentiometer, nominal width 22,2 mm



Technical data

Rated resistance range	1 kΩ – 100 kΩ	Temperatur coefficient	-800 ppm / °C
Resistance tolerance	± 10 % *	Electrical travel	340° (300° with stop)
Independent linearity	± 1% *	Mechanical travel	360° (30° ± 3 with stop)
Rated dissipation	1 W / 70 °C (derating to 0 W / 125 °C)	Operating torque	max. 0.7 Ncm
Limiting element voltage	400 V ~	Durability	5 000 000 cycles
Temperatur range	- 40 °C to + 125 °C		

* other values on request

Technical details subject to change

This catalogue gives no information on product availability. The information is only for product description and is not legally binding. Any technical item is subject to change.