

Data sheet

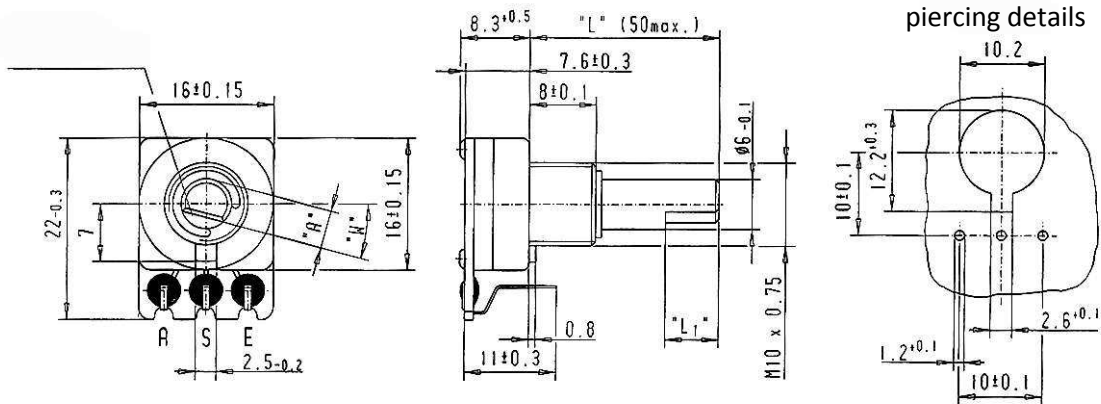
Conductive plastic rotary potentiometers

Ordering code no.: 41 016.....



Series CP 16
Type CP 16 K

Basic design: plastic moulded housing, terminals for printed circuit board



Technical data

Rated resistance range	1 kΩ – 10 kΩ	Temperatur coefficient	± 500 ppm / °C
Resistance tolerance	± 10 %	Electrical travel	275° ± 10°
Law (resistance taper)	lin	Mechanical travel	300° ± 5°
Independent linearity	± 5 %	Operating torque	0.5 – 1.5 Ncm
Rated dissipation	1 W / 40 °C	End stop torque	≥ 40 Ncm
Limiting element voltage	250 V	Thrust on spindle	max. 100 N
Isolation voltage	1.5 kV ~	Mounting torque	max. 50 Ncm
Temperatur range	- 25 °C to + 70 °C	Durability	100 000 cycles higher numbers of cycles on request

Spindles acc. to customers request plastic moulded or steel

"L" - spindles length, max 50 mm
 "L₁" - length of flat
 "A" - breadth
 "W" - angle of flat
 other spindle versions on request

Termination

- ready with cable or cable and connector available

Accessories

Hexagon nut, washer

Technical details subject to change

This catalogue gives no information on product availability. The information is only for product description and is not legally binding. Any technical item is subject to change.