

## Data sheet

### Cermet rotary potentiometers

Ordering code no.: 21 016 .....

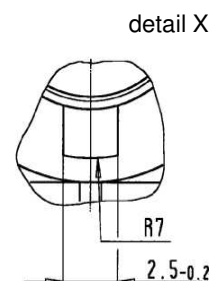
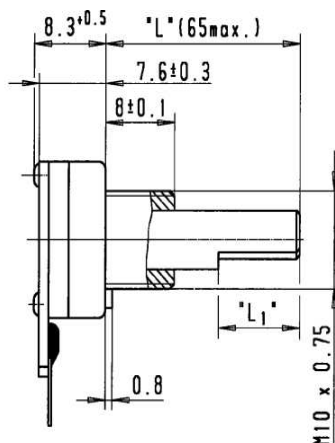
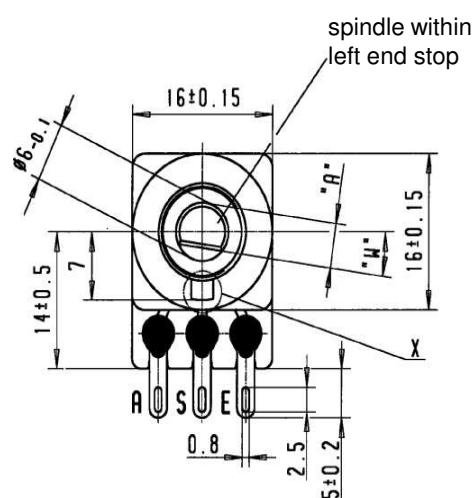


**Series C 16**  
**Type C 16 K**

Basic design: plastic moulded housing, plastic moulded spindle, solder tag terminals

**Special versions**

- ready made with cable or cable with connector
- version with spindle locking ring



**Technical data**

Rated resistance range	22 Ω - 10 MΩ	Temperature coefficient	für $R_N \geq 1 \text{ k}\Omega$ : $\pm 100 \text{ ppm} / ^\circ\text{C}$ für $R_N < 1 \text{ k}\Omega$ : $\pm 200 \text{ ppm} / ^\circ\text{C}$
Resistance tolerance	$\pm 20 \% ^*$	Electrical travel	$240^\circ \pm 10^\circ$
Law (resistance taper)	lin $^*$	Mechanical travel	$270^\circ \pm 5^\circ$
Independent linearity	$\pm 10 \% ^*$	Operating torque	0.3 - 2 Ncm
Rated dissipation	0.5 W / 70 °C ( 1 W / 40 °C)	End stop torque	$\geq 40 \text{ Ncm}$
Limiting element voltage	250 V	Thrust on spindle	max. 100 N
Isolation voltage	1.5 kV ~	Mounting torque	max. 50 Ncm
Temperature range	- 40 °C to + 125 °C	Durability	10 000 cycles

\* other values and laws on request

**Spindles acc. to customers request**

"L" - spindle length, max 65 mm

"L1" - length of flat

"A" - breadth

"W" -angle of flat

\* other spindle versions on request

**Accessories**

Hexagon nut, washer

Technical details subject to change

This catalogue gives no information on product availability. The information is only for product description and is not legally binding. Any technical item is subject to change.