

**Data sheet**

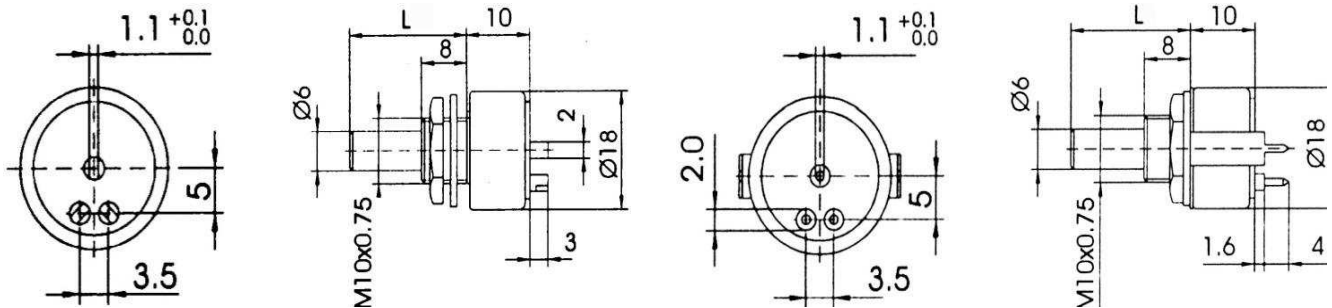
**Cermet rotary potentiometers**

**Ordering code no.: 21 013 .....**



**Series C 13**  
**Type C 13, Type C 13 S**

Type C 13 Solder tag terminations  
Type C 13 S Terminals for printed circuit board



**Technical data**

Rated resistance range	50 Ω - 4.7 MΩ	Electrical travel	220° ± 20°
Resistance tolerance	≤ 1 MΩ: ± 20 % * > 1 MΩ: ± 30 % *	Mechanical travel	250° ± 10°
Law (resistance taper)	lin	Operating torque	0.5 - 3.5 Ncm
Rated dissipation	1 W / 70 °C	End stop torque	≥ 70 Ncm
Limiting element voltage	300 V	Protective system	DIN 40 050 IP 65
Temperature range	- 55 °C to + 125 °C		

\* other values and laws on request

**Spindles**

Metal  
Length "L" 12; 20; 32; 40 and 42 mm

**Accessories**

Hexagon nut, washer

Technical details subject to change

This catalogue gives no information on product availability. The information is only for product description and is not legally binding. Any technical item is subject to change.