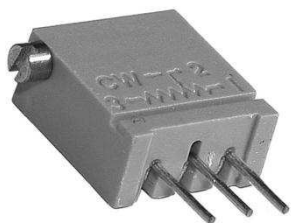


## Data sheet

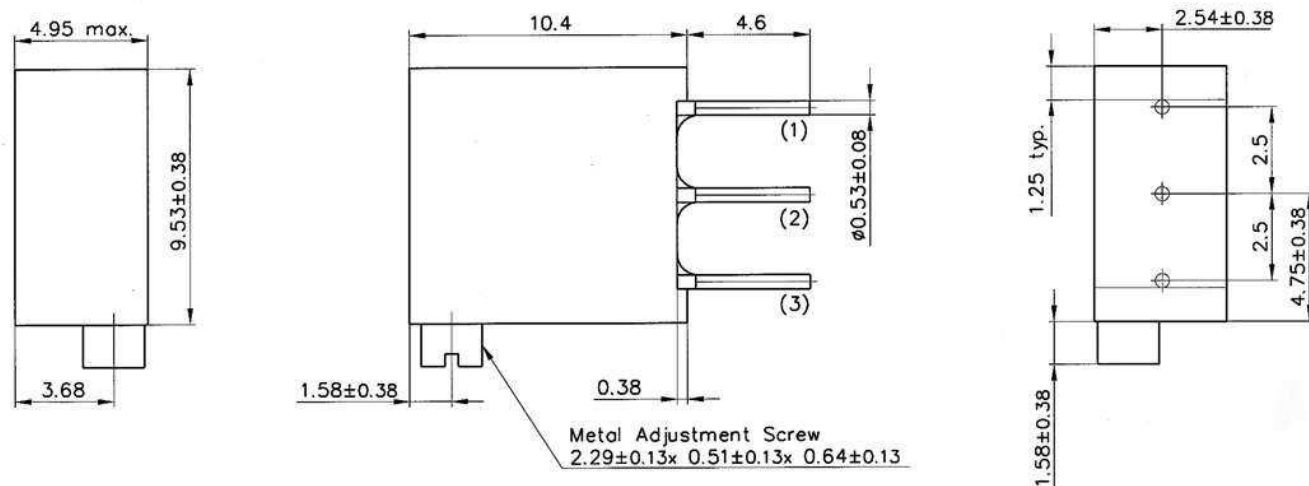
Cermet preset potentiometers

Ordering code no.: 20 944.....



**Series 900**  
**Type 944 / 67X**

Basic design: encased, 20 spindle turns



### Technical data

|                          |   |                         |  |
|--------------------------|---|-------------------------|--|
| Rated resistance range   | 10 $\Omega$ – 2 M $\Omega$                | Temperature range       | -55 °C to + 125 °C                                       |
| Resistance tolerance     | $\pm 10\%$ (< 100 $\Omega$ = $\pm 20\%$ ) | Temperature coefficient | $\pm 100$ ppm / °C (< 100 $\Omega$ = $\pm 250$ ppm / °C) |
| Law (resistance taper)   | lin                                       | Electrical travel       | 20 spindle turns   |
| Rated dissipation        | 0.5 W / 85 °C (derating to 0 W / 125 °C)  | Starting torque         | max. 3.5 Ncm   |
| Limiting element voltage | 200 V ~                                   | Durability              | 200 cycles   |
| Insulation resistance    | 1 G $\Omega$                              |                         |  |

Technical details subject to change

This catalogue gives no information on product availability. The information is only for product description and is not legally binding. Any technical item is subject to change.