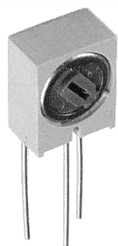


Data sheet

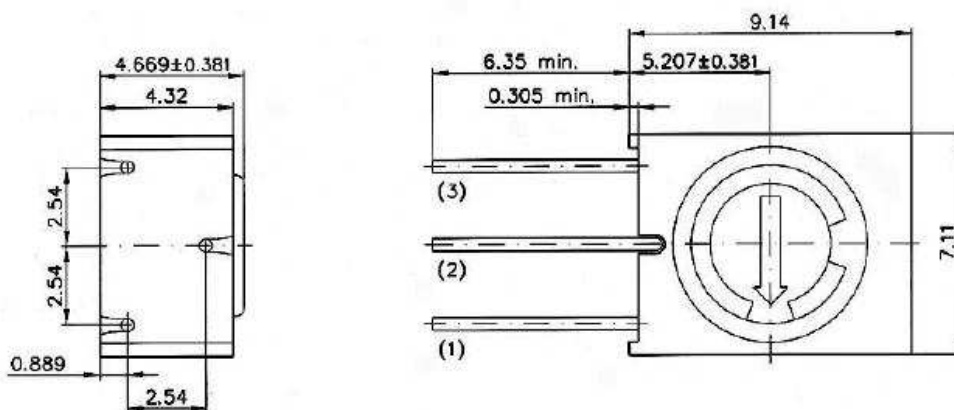
Cermet preset potentiometers

Ordering code no.: 20 462.....



Series 460
Type 462 / 82PA

Basic design: encased



Technical data

Rated resistance range	10 Ω – 2 MΩ	Temperature range	- 55 °C to + 125 °C
Resistance tolerance	± 10 % (< 100 Ω = ± 20 %)	Temperature coefficient	± 100 ppm / °C (< 100 Ω = ± 250 ppm / °C)
Law (resistance taper)	lin	Electrical travel	220°
Rated dissipation	0.5 W / 70 °C (derating to 0 W / 125 °C)	Starting torque	Max. 2.1 Ncm
Limiting element voltage	200 V ~	Durability	200 cycles
Insulation resistance	1 GΩ		

Technical details subject to change

This catalogue gives no information on product availability. The information is only for product description and is not legally binding. Any technical item is subject to change.