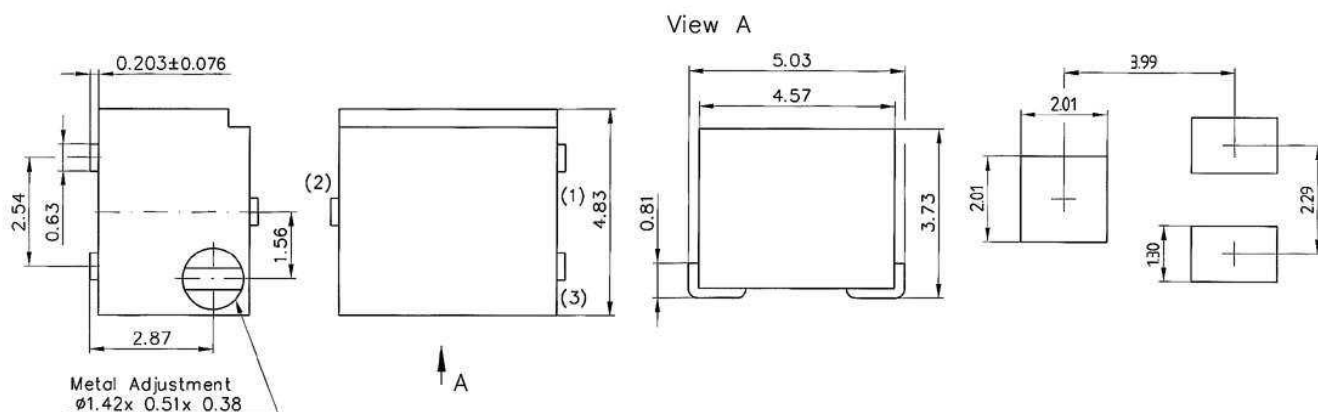
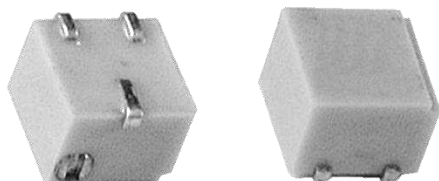


**Data sheet**

**Cermet preset potentiometers**

**Ordering code no.: 28 010.....**

**Series C 04**  
**Type HC 04 / 44J**  
 Basic design: SMD, 9 spindle turns



**Technical data**

Rated resistance range	10 Ω – 2 MΩ	Temperature range	-65 °C to + 150 °C
Resistance tolerance	± 10 % (> 100 Ω = ± 20 %)	Temperature coefficient	± 100 ppm / °C (< 100 Ω = ± 250 ppm / °C)
Law (resistance taper)	lin	Electrical travel	9 spindle turns
Rated dissipation	0.25 W / 85 °C (derating to 0 W / 150 °C)	Operating torque	max. 2.1 Ncm
Limiting element voltage	300 V ~	Durability	200 cycles
Insulation resistance	1 GΩ		

Technical details subject to change

This catalogue gives no information on product availability. The information is only for product description and is not legally binding. Any technical item is subject to change.