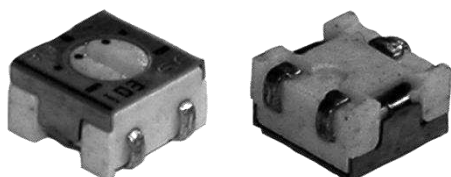


## Data sheet

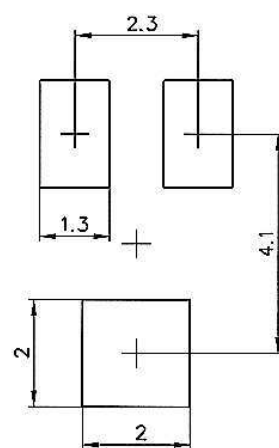
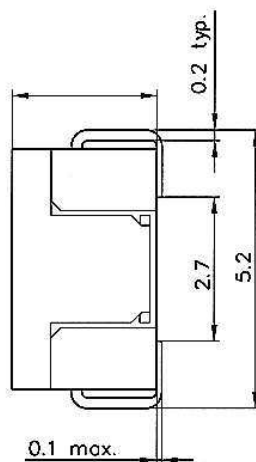
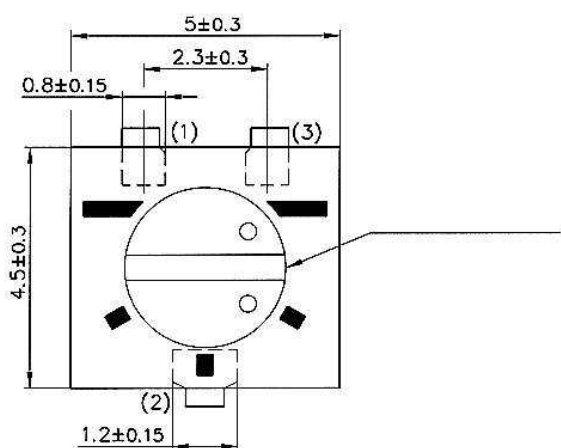
Cermet preset potentiometers

Ordering code no.: 28 008.....



Series C 04  
Type HC 04 / 23A

Basic design: SMD



### Technical data

Rated resistance range	10 Ω – 2 MΩ	Temperature range	-55 °C to + 125 °C
Resistance tolerance	± 20 %	Temperature coefficient	± 100 ppm / °C (< 100 Ω = ± 250 ppm / °C)
Law (resistance taper)	lin	Electrical travel	200°
Rated dissipation	0.25 W / 70 °C (derating to 0 W / 125 °C)	Operating torque	max. 1.4 Ncm
Limiting element voltage	200 V ~	Durability	100 cycles
Insulation resistance	100 MΩ		

Technical details subject to change

This catalogue gives no information on product availability. The information is only for product description and is not legally binding. Any technical item is subject to change.