

Data sheet

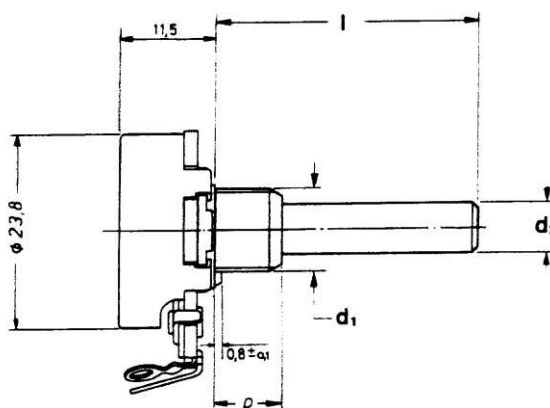
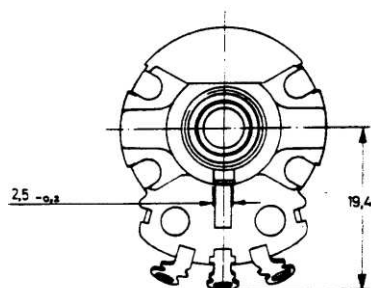
Carbon composition film singleturn rotary potentiometers

Ordering code no.: 01 045



**Series 45
Type 45**

Basic design: encased, laminate base, nominal width 24 mm, soldering tags



Technical data

| | | | |
|--------------------------|--|-------------------|---|
| Rated resistance range | 470 Ω – 1 MΩ | Electrical travel | 270 ± 5° |
| Resistance tolerance | ± 20 % ≤ 1 MΩ; ± 30 % > 1 MΩ | Mechanical travel | 300° ± 5°; 320° ± 5° with switch |
| Law (resistance taper) | lin (470 Ω – 1 MΩ) lg (1 kΩ – 1 MΩ) | Operating torque | 0.7 – 3.6 Ncm |
| Rated dissipation | 0.5 W / 40 °C (lin) 0.25 W / 40 °C (lg) | End stop torque | min. 113 Ncm |
| Limiting element voltage | 500 V | Durability | 10 000 cycles |
| Isolation voltage | 1.5 kV | Taps | at 40 %, 50 % or 60 % of total travel |
| Insulation resistance | > 5 GΩ | Main switch | AR, 1 pole or 2 pole |
| Temperature range | -25 °C to + 70 °C | Spindle | plastic (standard) or metal (see table) |
| Temperature coefficient | ± 500 ppm / °C | | |

| l (mm) | p (mm) | d₂ (mm) | d₁ |
|---------------|---------------------------------|---------------------------|----------------------|
| Standard 50 | Standard 8, 10 or 12 on request | 6 | M10 x 0.75 |

Technical details subject to change

This catalogue gives no information on product availability. The information is only for product description and is not legally binding. Any technical item is subject to change.