

Data sheet

Carbon composition film rotary potentiometers

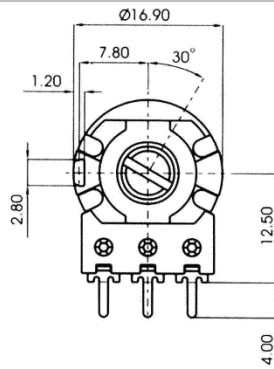
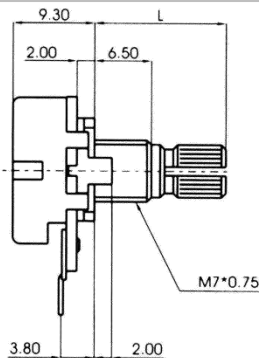
Ordering code no.: 01 018



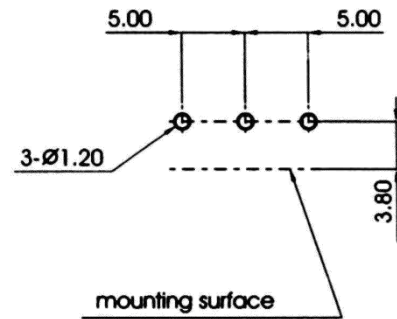
Series R 16
Type RK 1610 N

Basic design: nominal width 16.9 mm, terminals for printed circuit board

Also available with horizontal terminals



shaft shown in full
C.C.W. position



Technical data

Rated resistance range	5 kΩ – 2 MΩ	Mechanical travel	300° ± 5°
Resistance tolerance	± 20 % (> 1 MΩ; ± 30 %)	Operating torque	0.2 – 2.0 Ncm
Law (resistance taper)	lin *	End stop torque	70 Ncm
Rated dissipation	Lin 0.125 W (lg 0.06 W)	Durability	15 000 cycles
Limiting element voltage	Lin 200 V (lg 150 V)		

* Other values on request

Technical details subject to change

This catalogue gives no information on product availability. The information is only for product description and is not legally binding. Any technical item is subject to change.