

Data sheet

Rotary Operated Pots / Ser. P11M

Series P11M - Feature

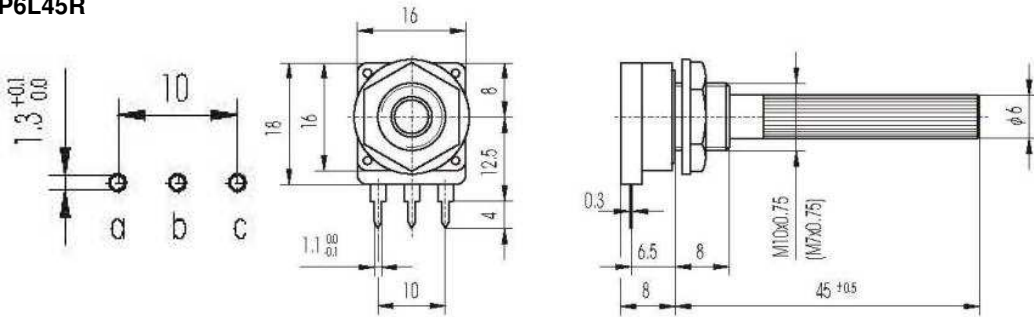
- Closed version
- Modular design
- Allowing up to four potentiometers on the same plastic spindle
- A switch can be connected to any model
- Resistance tolerance:
 - ± 20 % for values 100Ω to 1 MΩ
 - ± 30 % for values > 1 MΩ to 4.7 MΩ
- On special request closer tolerances are available

Modular Rotary Operated Types / Ser. P11M / 16 mm

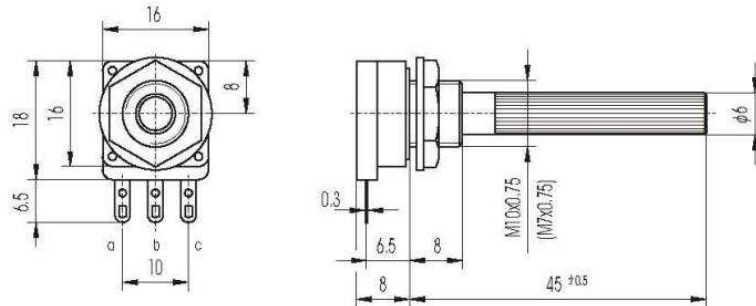
Technical data

Rated dissipation at $\vartheta_{amb} = 40\text{ °C}$	lin. 0.25 W / other 0.125 W	With supplied mounting nut max. torque for tightening	max. 800 mNm
Resistance value range	lin 100 Ω to 4.7 MΩ / log 2.2 kΩ to 2.5 MΩ	Resistance law (DIN 41450)	Lin, log ⁺ , log ⁻ , special
Nominal voltage	lin 500 MΩ / other 250 V	Residual resistance (DIN 41450)	lin $\leq 1 \times 10^{-3} R_n$ / non lin $\leq 1 \times 10^{-3} R_n$ / final $\leq 2 \times 10^{-2} R_n$
Electric angle of rotation	260° ± 20°	Temperature range (HSF, DIN 40040)	-25 °C to 70 °C
Mechanical angle of rotation	300° ± 5°	Switch rating	250 V _{ac} , 1 A
Operating torque	5 – 25 mNm	Lock nut torque	max. 0.8 Nm
End stop torque	≥ 400 mNm		

P11M10AP6L45R



P11M10BP6L45R

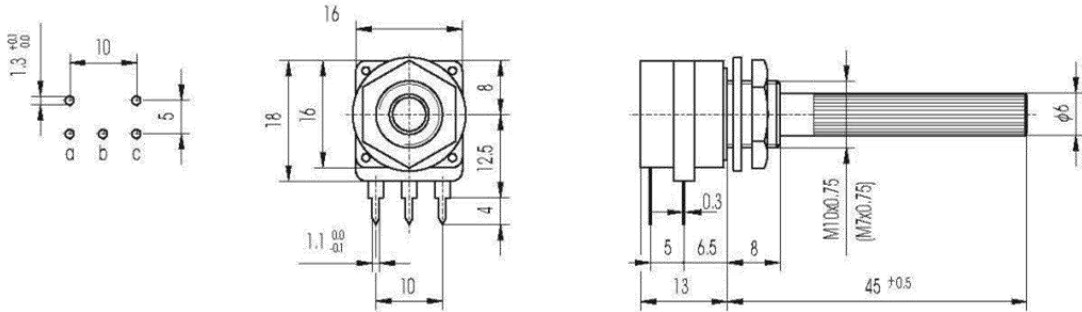


Data sheet

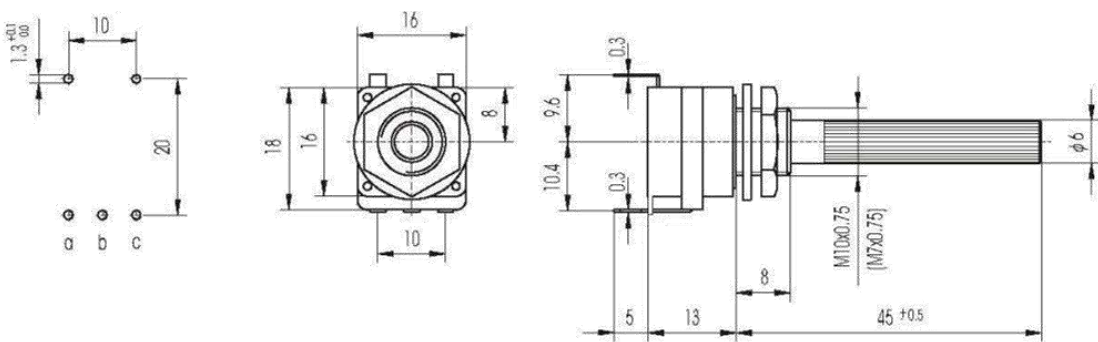
Rotary Operated Pots / Ser. P11M

Series P11M - Feature

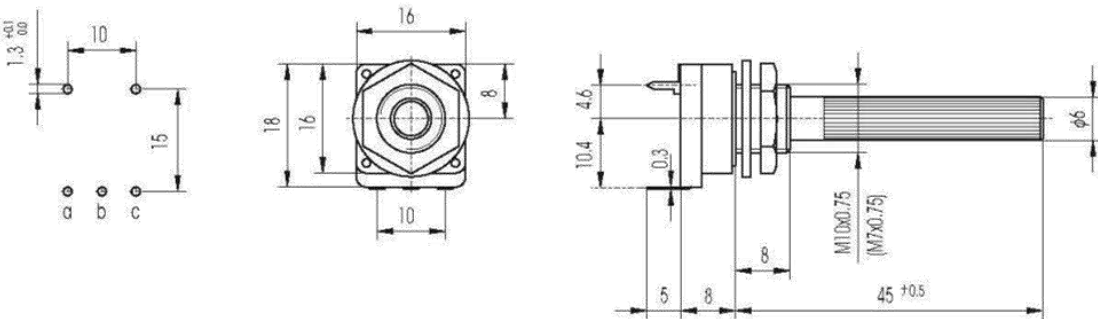
P11M10AP6L45RS



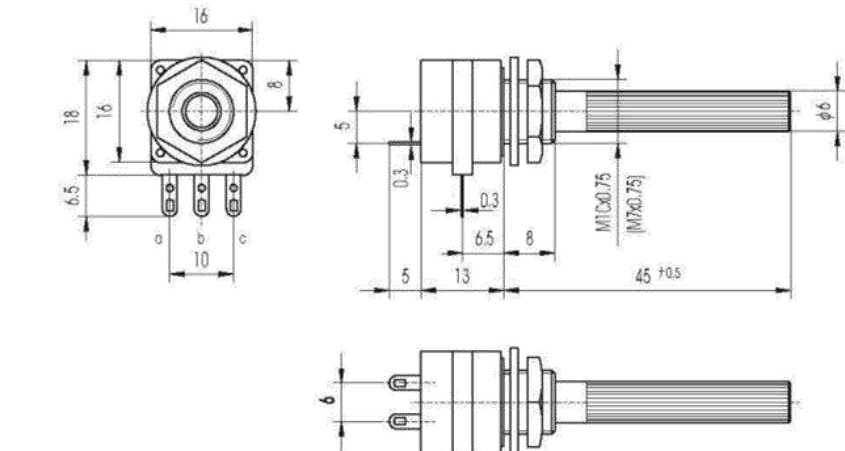
P11M10AVP6L45RS



P11M10AVP6L45R



P11M10BP6L45RSU

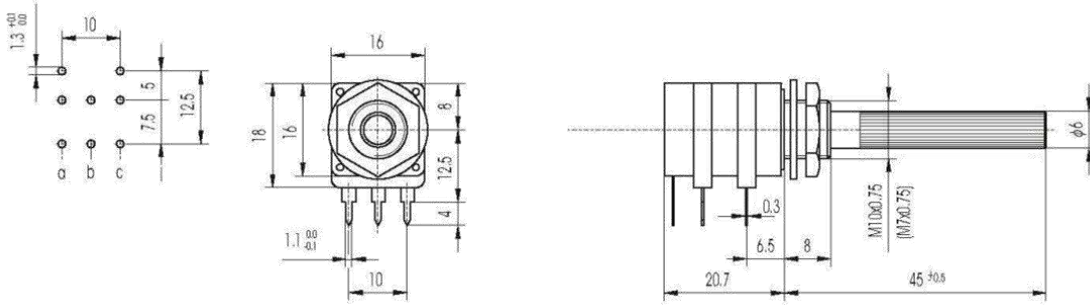


Data sheet

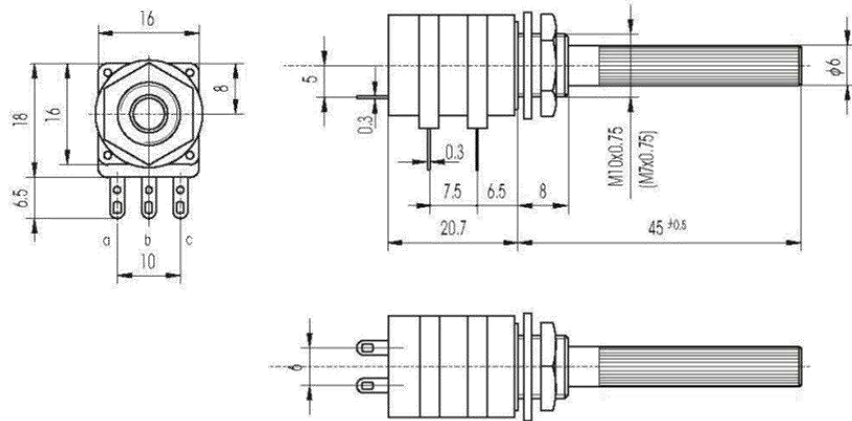
Rotary Operated Pots / Ser. P11M

Series P11M - Feature

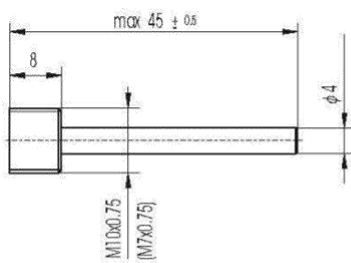
P11M10AP6L45RCS



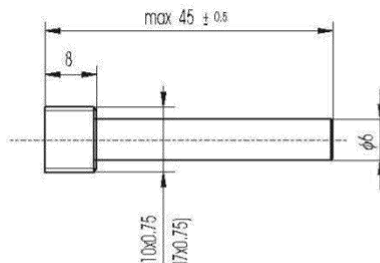
P11M10BP6L45RCSU



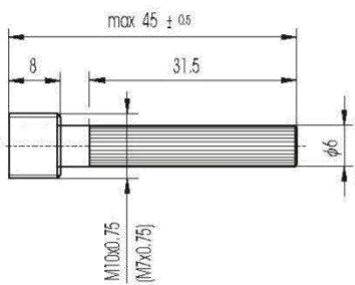
Shaft



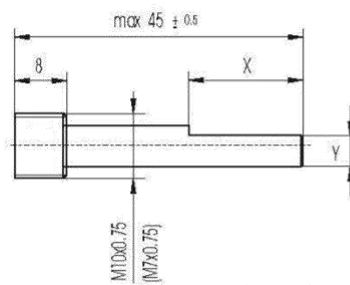
Standard plastic (metal) shafts P4



Standard plastic shafts P6



Standard plastic shafts P6R



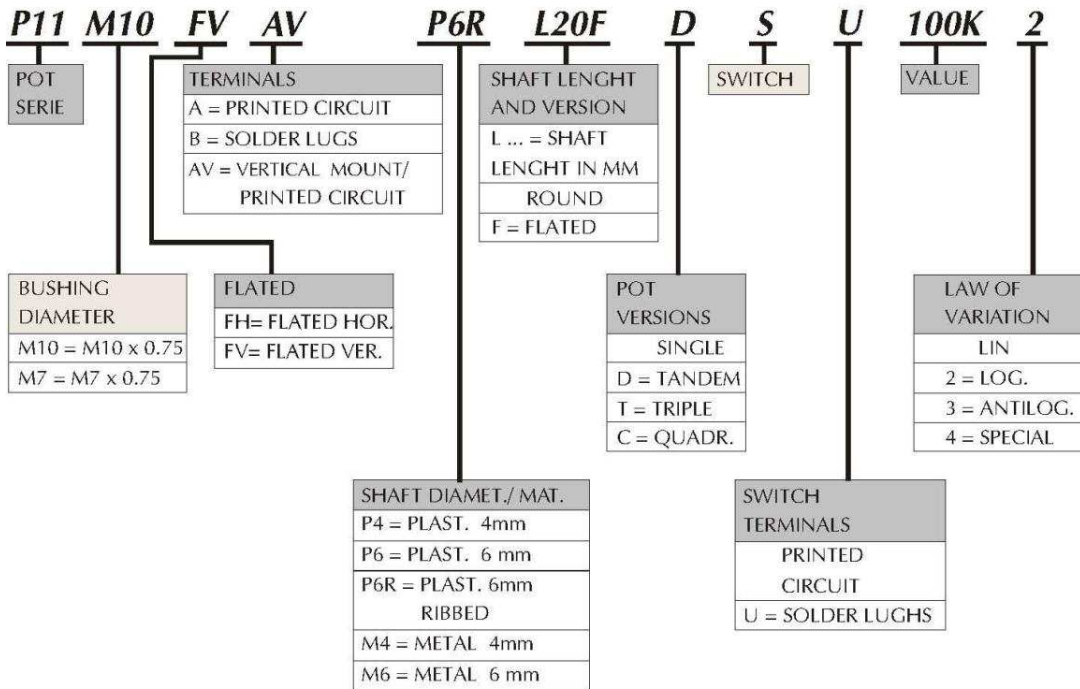
Standard plastic shafts P6F

Data sheet

Rotary Operated Pots / Ser. P11M

Series P11M - Feature

Ordering example / ser. P11M / 16 mm



Available shaft shapes :

1. Diameter 6mm
 - plastic (round) shaft, L15, L18, L25, L45
 - plastic (ribbed) shaft RL18, RL45
2. Diameter 4 mm – round shaft L45 (other lengths are optional)

We reserved the right to alter without notice the specification, design, price or conditions of supply of any product or service. No liability is assumed as a result of their use or application.

