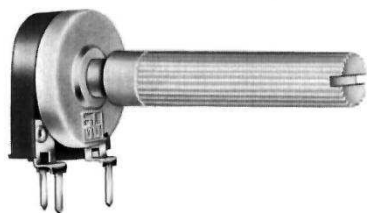


## Data sheet

**Carbon composition film single turn rotary potentiometers**

**Ordering code no.: 01 216 .....**

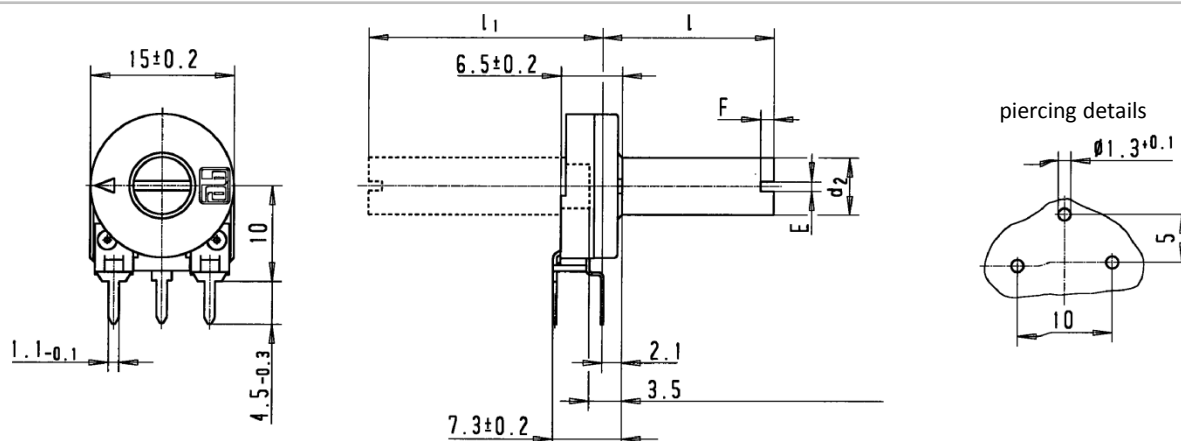


**Series 216**  
**Type PCV 216 / 30**

Basic design: plastic moulded housing,  
double metal wiper, terminals for printed  
circuit board

**Special versions:**

- Snap-in terminals
- Centre detent



### Technical data

Rated resistance range	100 Ω – 4,7 MΩ	Temperature coefficient	± 1 000 ppm / °C
Resistance tolerance	± 20 % *	Electrical travel	240 ± 10°
Law	lin *	Mechanical travel	270° ± 10°
Independent linearity	± 10 % *	Operating torque	0.5 – 2.5 Ncm
Rated dissipation	0,15 W / 40 °C	End stop torque	≥ 10 Ncm
Limiting element voltage	250 V	Durability	10 000 cycles

### Spindles

- Plastic moulded, suitable for both sides
- Versions and measurements see page 13
- Potentiometers also available without spindle

Further adjustment slots for operating spindles on request e. g. square version

\* other values and laws on request

Technical details subject to change

This catalogue gives no information on product availability. The information is only for product description and is not legally binding. Any technical item is subject to change.