

Data sheet

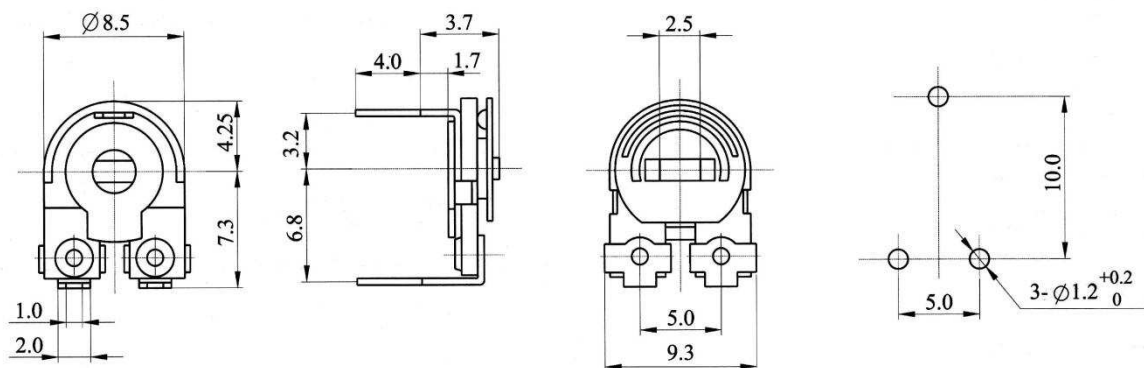
Carbon composition film preset potentiometers

Ordering code no.: 00 010



Series 10
Type SR 085 - 2

Basic design: laminate base



Technical data

| | | | |
|--------------------------|---------------|-------------------|-------------------|
| Rated resistance range | 200 Ω – 1 MΩ | Electrical travel | 240° ± 15° |
| Resistance tolerance | ± 30 % * | Mechanical travel | 260° ± 10° |
| Law (resistance taper) | lin | Temperature range | - 10 °C to -70 °C |
| Rated dissipation | 0.1 W / 50 °C | Durability | 100 cycles |
| Limiting element voltage | 100 V | | |

* other values on request

Technical details subject to change

This catalogue gives no information on product availability. The information is only for product description and is not legally binding. Any technical item is subject to change.