

Data sheet

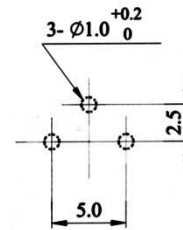
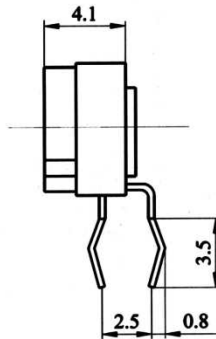
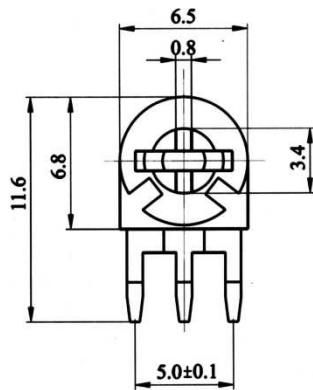
Carbon composition film prest potentiometers

Ordering code no.: 00 006.....



Series 6
Type VA 06 / SM063

Basic design: laminate base, plastic encased



Technical data

Rated resistance range	200 Ω – 1 MΩ	Mechanical travel	210 ± 10°
Resistance tolerance	± 30 %	Operating torque	0.5 – 3.5 Ncm
Law (resistance taper)	lin	End stop torque	3.5 Ncm
Rated dissipation	0.1 W / 50 °C	Durability	100 cycles
Limiting element voltage	50 V		

Technical details subject to change

This catalogue gives no information on product availability. The information is only for product description and is not legally binding. Any technical item is subject to change.