

# GT7359



## 1MHz, Low Power, CMOS, Rail-to-Rail Dual Operational Amplifier

**Advanced**

### 1. Features

- Single-Supply Operation from +2.2V ~ +5.5V
- Rail-to-Rail Input / Output
- Gain-Bandwidth Product: 1MHz (Typ.)
- Low Input Bias Current: 10pA (Typ.)
- Low Offset Voltage: 5mV (Max.)
- Quiescent Current: 40 $\mu$ A per Amplifier (Typ.)
- Operating Temperature: -40°C ~ +125°C
- Available in SOP8 and MSOP8 Packages

### 2. General Description

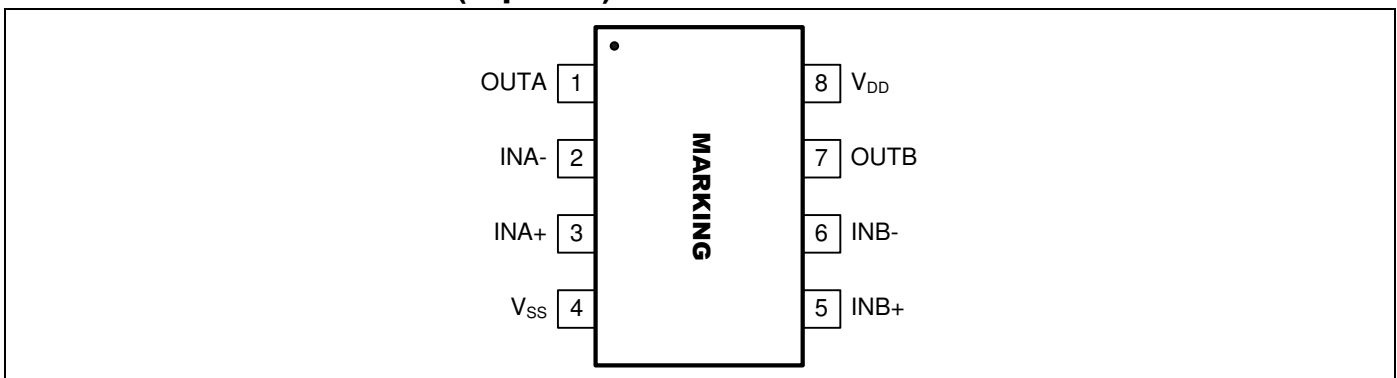
The GT7359 is a single supply, low power CMOS dual operational amplifier; these amplifiers offer bandwidth of 1MHz, rail-to-rail inputs and outputs, and single-supply operation from 2.2V to 5.5V. Typical low quiescent supply current of 80 $\mu$ A in dual operational amplifiers within one chip and very low input bias current of 10pA make the devices an ideal choice for low offset, low power consumption and high impedance applications such as smoke detectors, photodiode amplifiers, and other sensors. The GT7359 is available in SOP8 and MSOP8 packages. The extended temperature range of -40°C to +125°C over all supply voltages offers additional design flexibility.

### 3. Applications

- Portable Equipment
- Mobile Communications
- Smoke Detector
- Sensor Interface
- Medical Instrumentation
- Battery-Powered Instruments
- Handheld Test Equipment

### 4. Pin Configuration

#### 4.1 GT7359 SOP8 and MSOP8 (Top View)



**Figure 1. Pin Assignment Diagram (SOP8 and MSOP8 Package)**

**Note:** Please see section “Part Markings” for detailed Marking Information.

Copyright © 2010 Giantec Semiconductor Inc. (Giantec). All rights reserved. Giantec reserves the right to make changes to this specification and its products at any time without notice. Giantec products are not designed, intended, authorized or warranted for use as components in systems or equipment intended for critical medical or surgical equipment, aerospace or military, or other applications planned to support or sustain life. It is the customer's obligation to optimize the design in their own products for the best performance and optimization on the functionality and etc. Giantec assumes no liability arising out of the application or use of any information, products or services described herein. Customers are advised to obtain the latest version of this device specification before relying on any published information and prior placing orders for products.



# GT7359

## 5. Application Information

### 5.1 Size

GT7359 series op amps are unity-gain stable and suitable for a wide range of general-purpose applications. The small footprints of the GT7359 series packages save space on printed circuit boards and enable the design of smaller electronic products.

### 5.2 Power Supply Bypassing and Board Layout

GT7359 series operates from a single 2.2V to 5.5V supply or dual  $\pm 1.1V$  to  $\pm 2.75V$  supplies. For best performance, a  $0.1\mu F$  ceramic capacitor should be placed close to the  $V_{DD}$  pin in single supply operation. For dual supply operation, both  $V_{DD}$  and  $V_{SS}$  supplies should be bypassed to ground with separate  $0.1\mu F$  ceramic capacitors.

### 5.3 Low Supply Current

The low supply current (typical  $80\mu A$ ) of GT7359 series will help to maximize battery life. They are ideal for battery powered systems

### 5.4 Operating Voltage

GT7359 series operate under wide input supply voltage (2.2V to 5.5V). In addition, all temperature specifications apply from  $-40^{\circ}C$  to  $+125^{\circ}C$ . Most behavior remains unchanged throughout the full operating voltage range. These guarantees ensure operation throughout the single Li-Ion battery lifetime

### 5.5 Rail-to-Rail Input

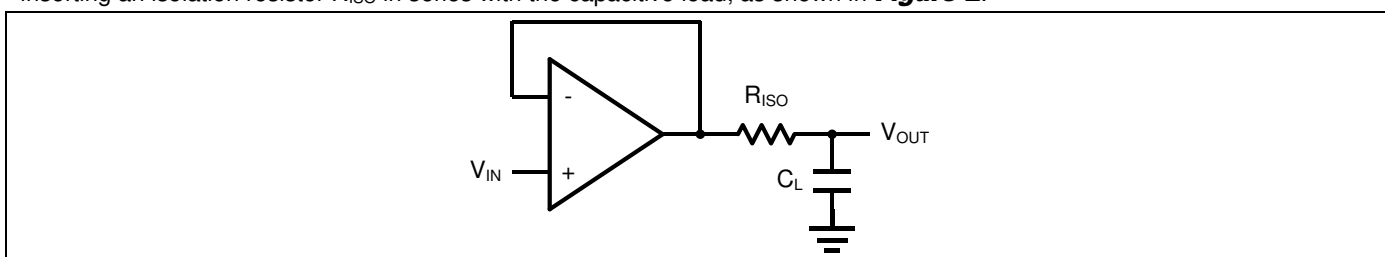
The input common-mode range of GT7359 series extends  $100mV$  beyond the supply rails ( $V_{SS}-0.1V$  to  $V_{DD}+0.1V$ ). This is achieved by using complementary input stage. For normal operation, inputs should be limited to this range.

### 5.6 Rail-to-Rail Output

Rail-to-Rail output swing provides maximum possible dynamic range at the output. This is particularly important when operating in low supply voltages. The output voltage of GT7359 series can typically swing to less than  $10mV$  from supply rail in light resistive loads ( $>100k\Omega$ ), and  $60mV$  of supply rail in moderate resistive loads ( $10k\Omega$ ).

### 5.7 Capacitive Load Tolerance

The GT7359 series can directly drive  $250pF$  capacitive load in unity-gain without oscillation. Increasing the gain enhances the amplifier's ability to drive greater capacitive loads. In unity-gain configurations, the capacitive load drive can be improved by inserting an isolation resistor  $R_{ISO}$  in series with the capacitive load, as shown in **Figure 2**.

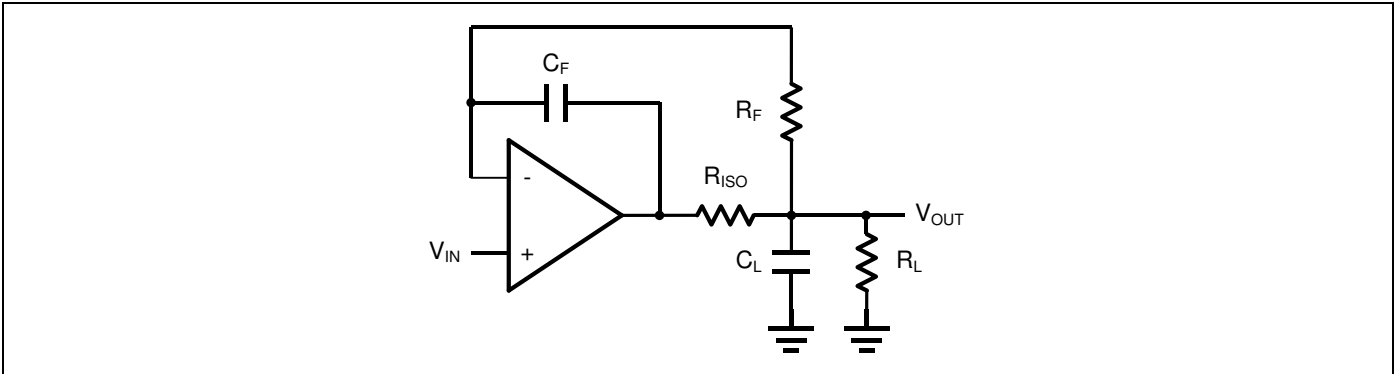


**Figure 2. Indirectly Driving a Capacitive Load Using Isolation Resistor**

The bigger the  $R_{ISO}$  resistor value, the more stable  $V_{OUT}$  will be. However, if there is a resistive load  $R_L$  in parallel with the capacitive load, a voltage divider (proportional to  $R_{ISO}/R_L$ ) is formed, this will result in a gain error.

The circuit in **Figure 3** is an improvement to the one in **Figure 2**.  $R_F$  provides the DC accuracy by feed-forward the  $V_{IN}$  to  $R_L$ .  $C_F$  and  $R_{ISO}$  serve to counteract the loss of phase margin by feeding the high frequency component of the output signal back to the amplifier's inverting input, thereby preserving the phase margin in the overall feedback loop. Capacitive drive can be increased

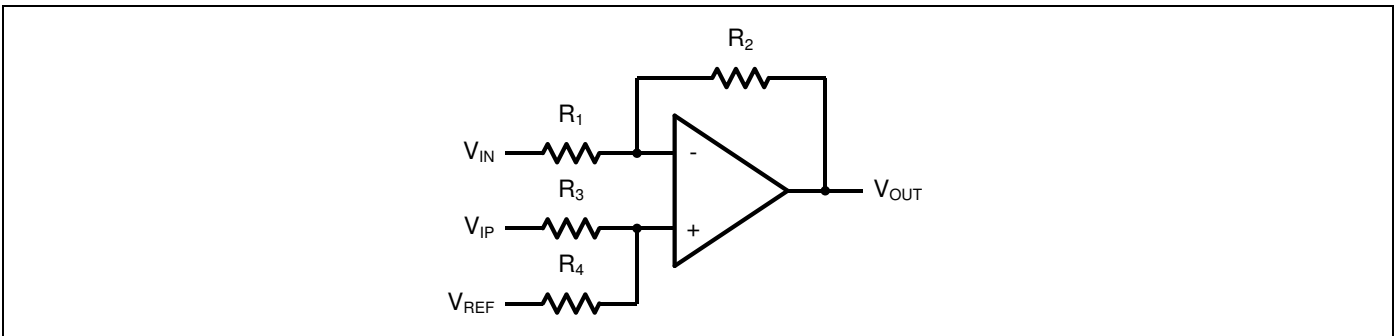
by increasing the value of  $C_F$ . This in turn will slow down the pulse response.



**Figure 3. Indirectly Driving a Capacitive Load with DC Accuracy**

## 5.8 Differential amplifier

The differential amplifier allows the subtraction of two input voltages or cancellation of a signal common to the two inputs. It is useful as a computational amplifier in making a differential to single-end conversion or in rejecting a common mode signal. **Figure 4.** shows the differential amplifier using GT7359.



**Figure 4. Differential Amplifier**

$$V_{OUT} = \left(\frac{R_1+R_2}{R_3+R_4}\right) \frac{R_4}{R_1} V_{IN} - \frac{R_2}{R_1} V_{IP} + \left(\frac{R_1+R_2}{R_3+R_4}\right) \frac{R_3}{R_1} V_{REF}$$

If the resistor ratios are equal (i.e.  $R_1=R_3$  and  $R_2=R_4$ ), then

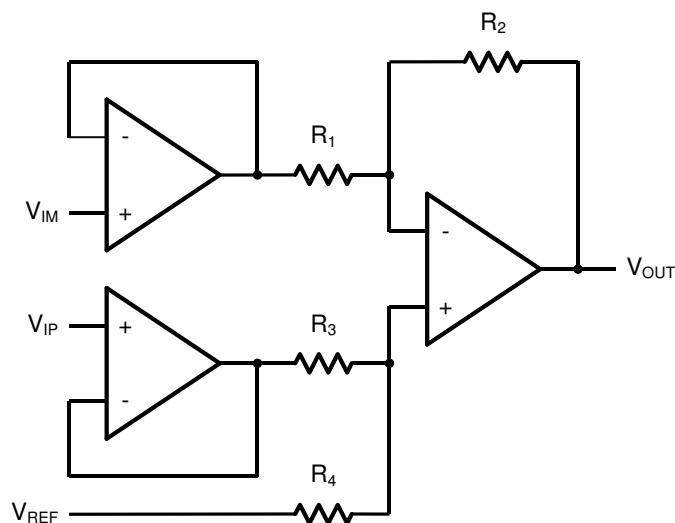
$$V_{OUT} = \frac{R_2}{R_1} (V_{IP} - V_{IN}) + V_{REF}$$

## 5.9 Instrumentation Amplifier

The input impedance of the previous differential amplifier is set by the resistors  $R_1$ ,  $R_2$ ,  $R_3$ , and  $R_4$ . To maintain the high input impedance, one can use a voltage follower in front of each input as shown in the following two instrumentation amplifiers.

## 5.10 Three-Op-Amp Instrumentation Amplifier

The dual GT7359 can be used to build a three-op-amp instrumentation amplifier as shown in **Figure 5.**



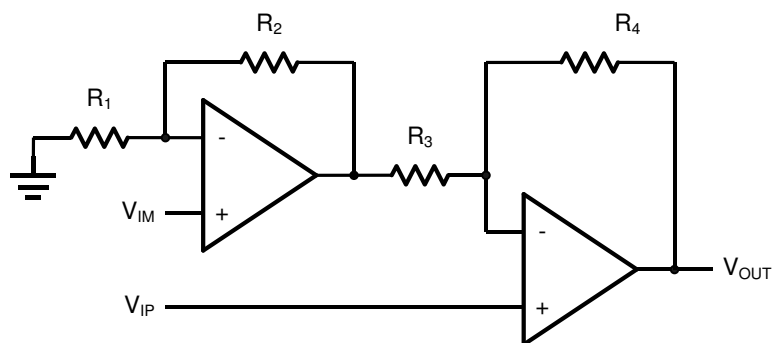
**Figure 5. Three-Op-Amp Instrumentation Amplifier**

The amplifier in **Figure 5** is a high input impedance differential amplifier with gain of  $R_2/R_1$ . The two differential voltage followers assure the high input impedance of the amplifier.

$$V_o = \left(1 + \frac{R_4}{R_3}\right)(V_{IP} - V_{IN})$$

## 5.11 Two-Op-Amp Instrumentation Amplifier

GT7359 can also be used to make a high input impedance two-op-amp instrumentation amplifier as shown in **Figure 6**.



**Figure 6. Two-Op-Amp Instrumentation Amplifier**

Where  $R_1=R_3$  and  $R_2=R_4$ . If all resistors are equal, then  $V_o=2(V_{IP}-V_{IN})$

## 5.12 Single-Supply Inverting Amplifier

The inverting amplifier is shown in Figure 6. The capacitor  $C_1$  is used to block the DC signal going into the AC signal source  $V_{IN}$ . The value of  $R_1$  and  $C_1$  set the cut-off frequency to  $f_c=1/(2\pi R_1 C_1)$ . The DC gain is defined by  $V_{OUT}=-R_2/R_1 V_{IN}$

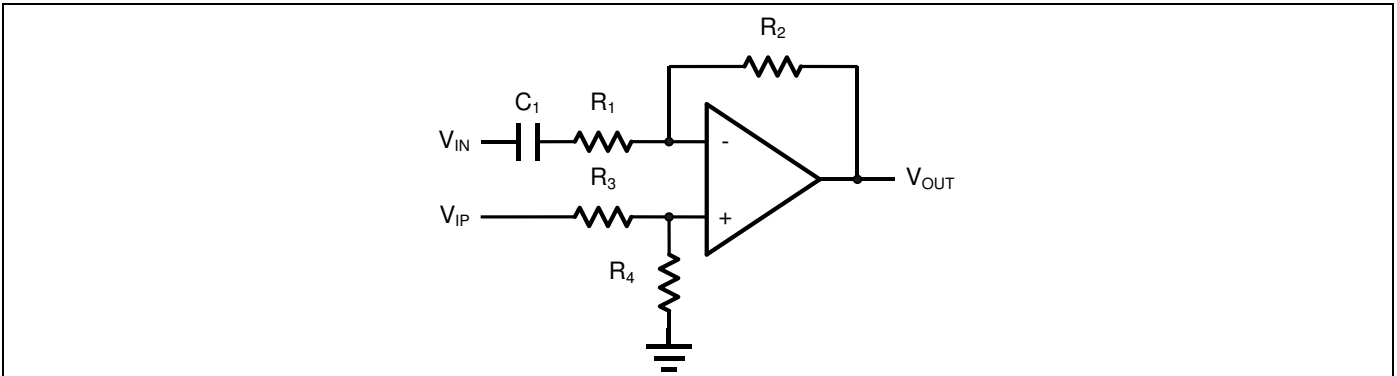


Figure 7. Single Supply Inverting Amplifier

## 5.13 Low Pass Active Filter

The low pass active filter is shown in Figure 8. The DC gain is defined by  $-R_2/R_1$ . The filter has a -20dB/decade roll-off after its corner frequency  $f_c=1/(2\pi R_3 C_1)$ .

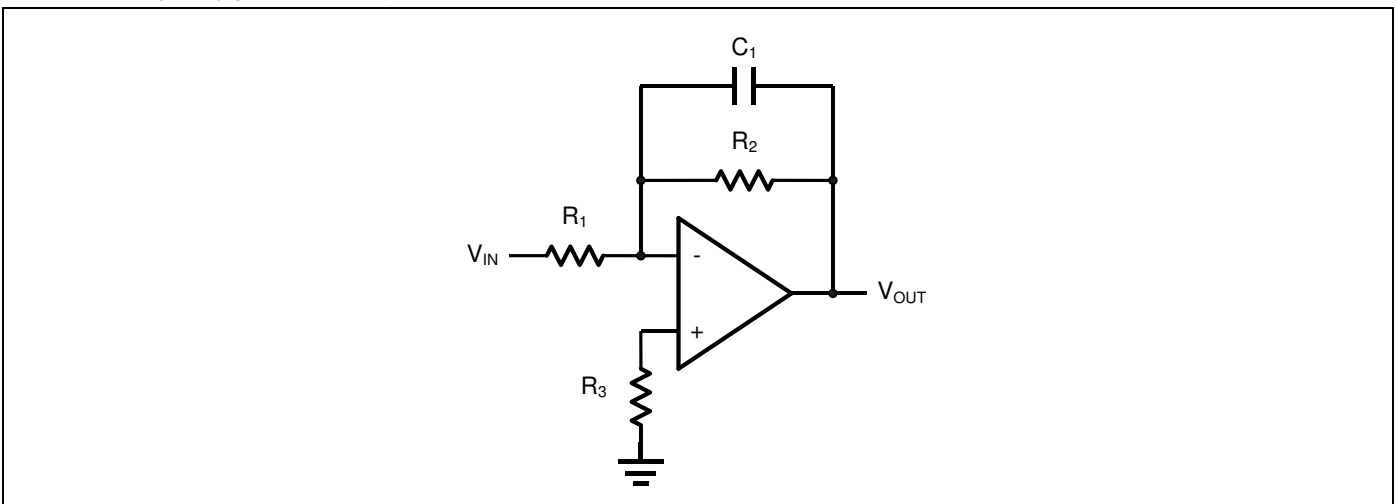


Figure 8. Low Pass Active Filter

## 5.14 Sallen-Key 2<sup>nd</sup> Order Active Low-Pass Filter

GT7359 can be used to form a 2<sup>nd</sup> order Sallen-Key active low-pass filter as shown in Figure 9. The transfer function from  $V_{IN}$  to  $V_{OUT}$  is given by

$$\frac{V_{OUT}}{V_{IN}}(S) = \frac{\frac{1}{C_1 C_2 R_1 R_2} A_{LP}}{S^2 + S \left( \frac{1}{C_1 R_1} + \frac{1}{C_1 R_2} + \frac{1}{C_2 R_2} - \frac{A_{LP}}{C_2 R_2} \right) + \frac{1}{C_1 C_2 R_1 R_2}}$$

Where the DC gain is defined by  $A_{LP}=1+R_3/R_4$ , and the corner frequency is given by

$$\omega_c = \sqrt{\frac{1}{C_1 C_2 R_1 R_2}}$$

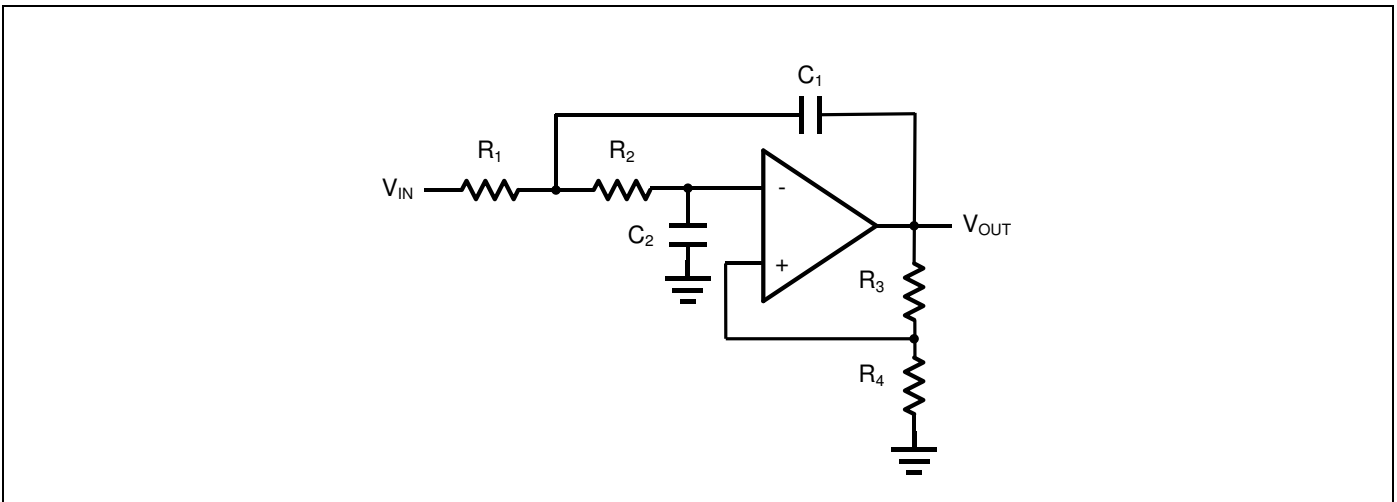
The pole quality factor is given by

$$\frac{\omega C}{Q} = \frac{1}{C_1 R_1} + \frac{1}{C_1 R_2} + \frac{1}{C_2 R_2} - \frac{A_{LP}}{C_2 R_2}$$

Let  $R_1=R_2=R$  and  $C_1=C_2=C$ , the corner frequency and the pole quality factor can be simplified as below

$$\omega_C = \frac{1}{CR}$$

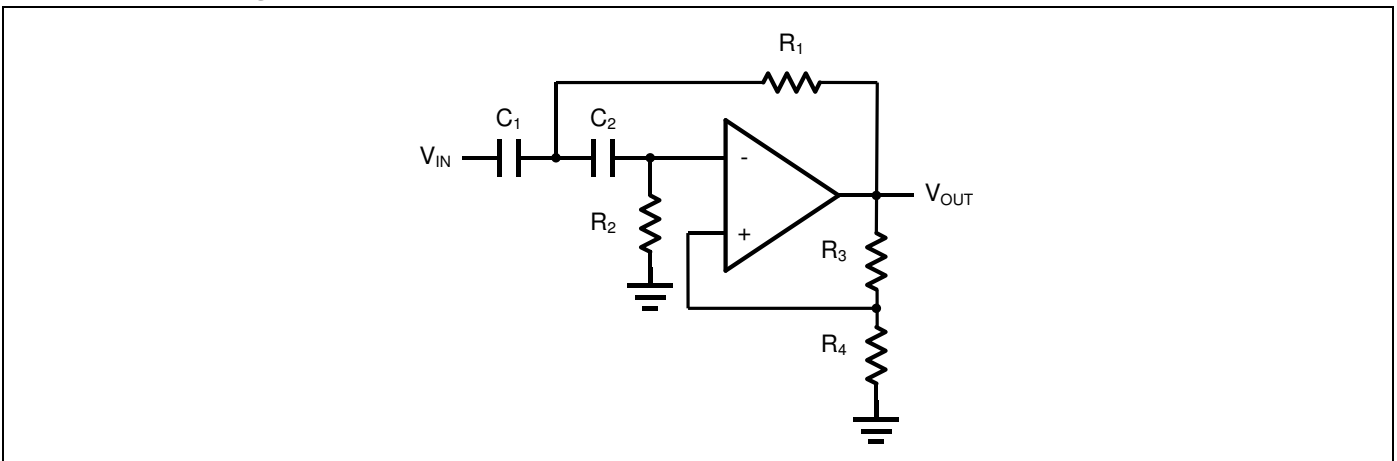
And  $Q=2-R_3/R_4$



**Figure 9. Sallen-Key 2nd Order Active Low-Pass Filter**

### 5.15 Sallen-Key 2<sup>nd</sup> Order high-Pass Active Filter

The 2<sup>nd</sup> order Sallen-key high-pass filter can be built by simply interchanging those frequency selective components  $R_1$ ,  $R_2$ ,  $C_1$ , and  $C_2$  as shown in **Figure 10**.



**Figure 10. Sallen-Key 2nd Order Active High-Pass Filter**

$$\frac{V_{OUT}}{V_{IN}}(S) = \frac{S^2 A_{HP}}{S^2 + S\left(\frac{1}{C_1 R_1} + \frac{1}{C_2 R_2} + \frac{1-A_{HP}}{C_1 R_1}\right) + \frac{1}{C_1 C_2 R_1 R_2}}$$

Where  $A_{HP}=1+R_3/R_4$



# GT7359

## 6. Electrical Characteristics

### 6.1 Absolute Maximum Ratings

Condition	Min	Max
Power Supply Voltage ( $V_{DD}$ to $V_{SS}$ )	-0.5V	+7V
Analog Input Voltage ( $IN+$ or $IN-$ )	$V_{SS}-0.5V$	$V_{DD}+0.5V$
PDB Input Voltage	$V_{SS}-0.5V$	+7V
Operating Temperature Range	-40 °C	+125 °C
Junction Temperature	+150 °C	
Storage Temperature Range	-65 °C	+150 °C
Lead Temperature (soldering, 10sec)	+300 °C	
Package Thermal Resistance ( $T_A=+25^{\circ}C$ )		
SOP8, $\theta_{JA}$	130 °C	
MSOP8, $\theta_{JA}$	210 °C	

**Note:** Stress greater than those listed under Absolute Maximum Ratings may cause permanent damage to the device. This is a stress rating only and functional operation of the device at these or any other conditions outside those indicated in the operational sections of this specification are not implied. Exposure to absolute maximum rating conditions for extended periods may affect reliability.



# GT7359

## 6.2 Electrical Characteristics

( $V_{DD} = +5V$ ,  $V_{SS} = 0V$ ,  $V_{CM} = 0V$ ,  $V_{OUT} = V_{DD}/2$ ,  $R_L = 100K$  tied to  $V_{DD}/2$ ,  $SHDNB = V_{DD}$ ,  $T_A = -40^{\circ}C$  to  $+125^{\circ}C$ , unless otherwise noted. Typical values are at  $T_A = +25^{\circ}C$ .) (Notes 1)

Parameter	Symbol	Conditions	Min.	Typ.	Max.	Units
Supply-Voltage Range	$V_{DD}$	Guaranteed by the PSRR test	2.2	-	5.5	V
Quiescent Supply Current (per Amplifier)		$V_{DD} = 5V$	30	40	60	$\mu A$
Input Offset Voltage	$V_{OS}$	Channel A	-	0.5	$\pm 5$	mV
		Channel B	-	5	-	
Input Offset Voltage Tempco	$\Delta V_{OS}/\Delta T$		-	2	-	$\mu V/^{\circ}C$
Input Bias Current	$I_B$	(Note 2)	-	10	-	pA
Input Offset Current	$I_{OS}$	(Note 2)	-	10	-	pA
Input Common-Mode Voltage Range	$V_{CM}$		-0.1	-	$V_{DD}+0.1$	V
Common-Mode Rejection Ratio	CMRR	$V_{DD}=5.5$ $V_{SS}-0.1V \leq V_{CM} \leq V_{DD}+0.1V$	55	65	-	dB
		$V_{SS} \leq V_{CM} \leq 5V$	60	80	-	dB
Power-Supply Rejection Ratio	PSRR	$V_{DD} = +2.5V$ to $+5.5V$	75	94	-	dB
Open-Loop Voltage Gain	$A_V$	$V_{DD}=5V$ , $R_L=100k\Omega$ , $0.05V \leq V_O \leq 4.95V$	100	110	-	dB
		$V_{DD}=5V$ , $R_L=5k\Omega$ , $0.05V \leq V_O \leq 4.95V$	70	80	-	dB
Output Voltage Swing	$V_{OUT}$	$ V_{IN+}-V_{IN-}  \geq 10mV$ $V_{DD}-V_{OH}$	-	6	-	mV
		$R_L = 100k\Omega$ to $V_{DD}/2$ $V_{OL}-V_{SS}$	-	6	-	mV
		$ V_{IN+}-V_{IN-}  \geq 10mV$ $V_{DD}-V_{OH}$	-	60	-	mV
		$R_L = 5k\Omega$ to $V_{DD}/2$ $V_{OL}-V_{SS}$	-	60	-	mV
Output Short-Circuit Current	$I_{SC}$	Sinking or Sourcing	-	$\pm 20$	-	mA
Gain Bandwidth Product	GBW	$A_V = +1V/V$	-	1	-	MHz
Slew Rate	SR	$A_V = +1V/V$	-	0.6	-	V/ $\mu s$
Settling Time	$t_s$	To 0.1%, $V_{OUT} = 2V$ step $A_V = +1V/V$	-	5	-	$\mu s$
Over Load Recovery Time		$V_{IN} \times \text{Gain} = V_S$	-	2	-	$\mu s$
Input Voltage Noise Density	$e_n$	$f = 10kHz$	-	20	-	nV/ $\sqrt{Hz}$

**Note 1:** All devices are 100% production tested at  $T_A = +25^{\circ}C$ ; all specifications over the automotive temperature range is guaranteed by design, not production tested.

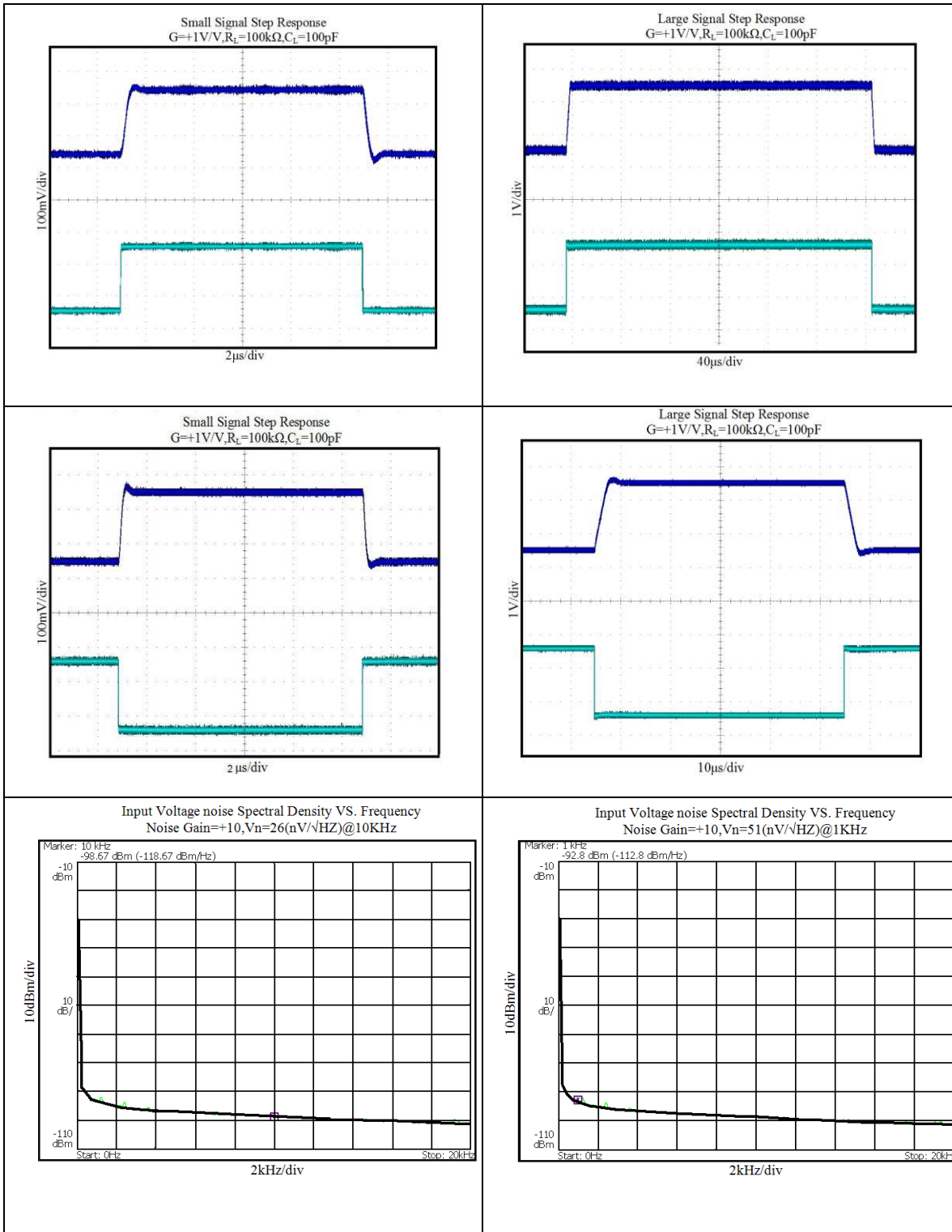
**Note 2:** Parameter is guaranteed by design.



# GT7359

## 6.3 Typical characteristics

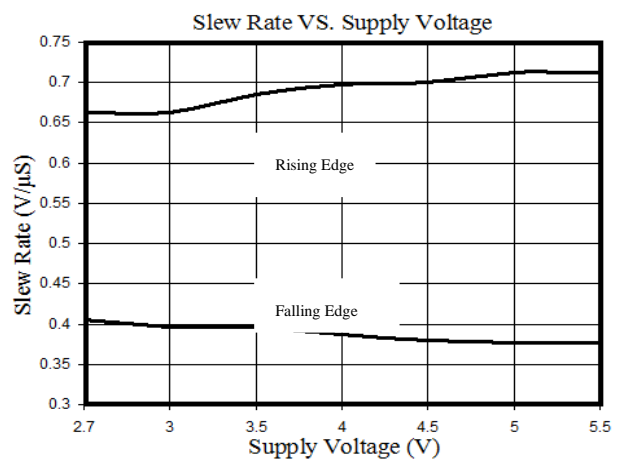
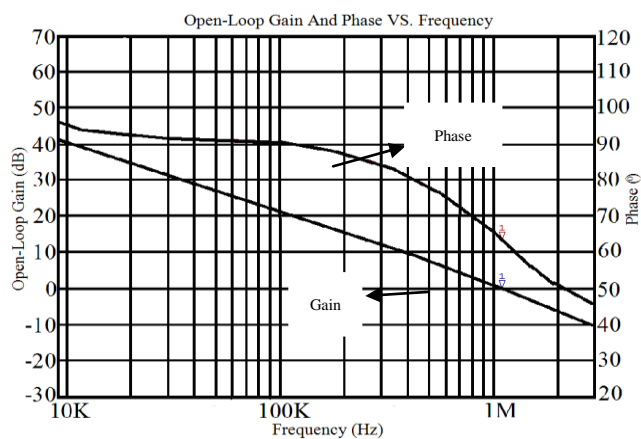
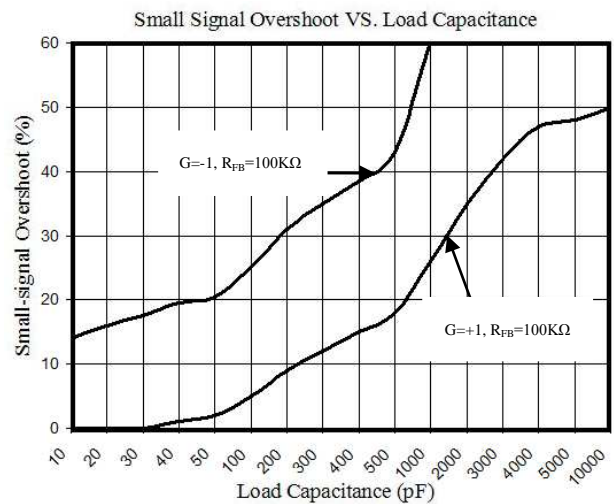
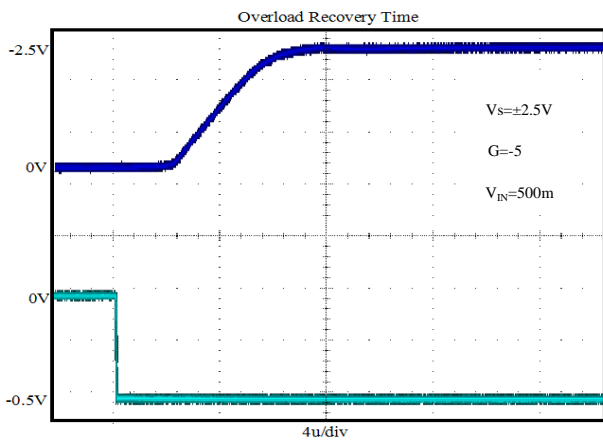
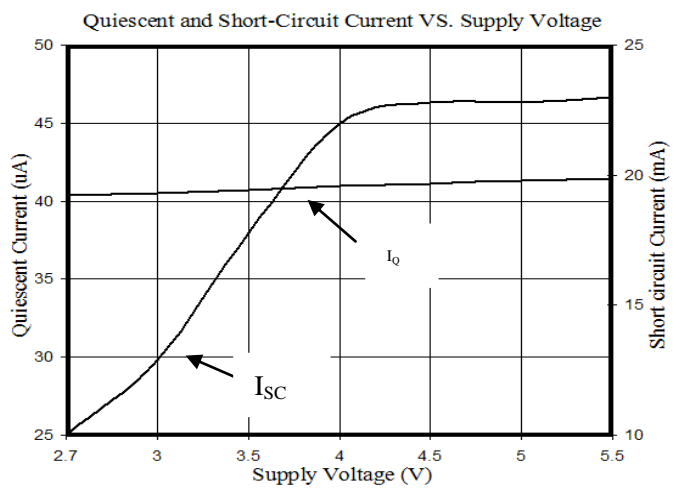
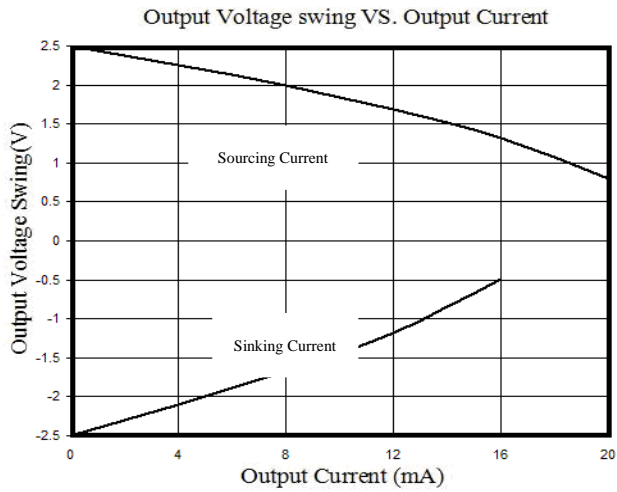
At  $T_A=+25^{\circ}\text{C}$ ,  $R_L=100\text{ k}\Omega$  connected to  $V_S/2$  and  $V_{OUT}=V_S/2$ , unless otherwise noted.





# GT7359

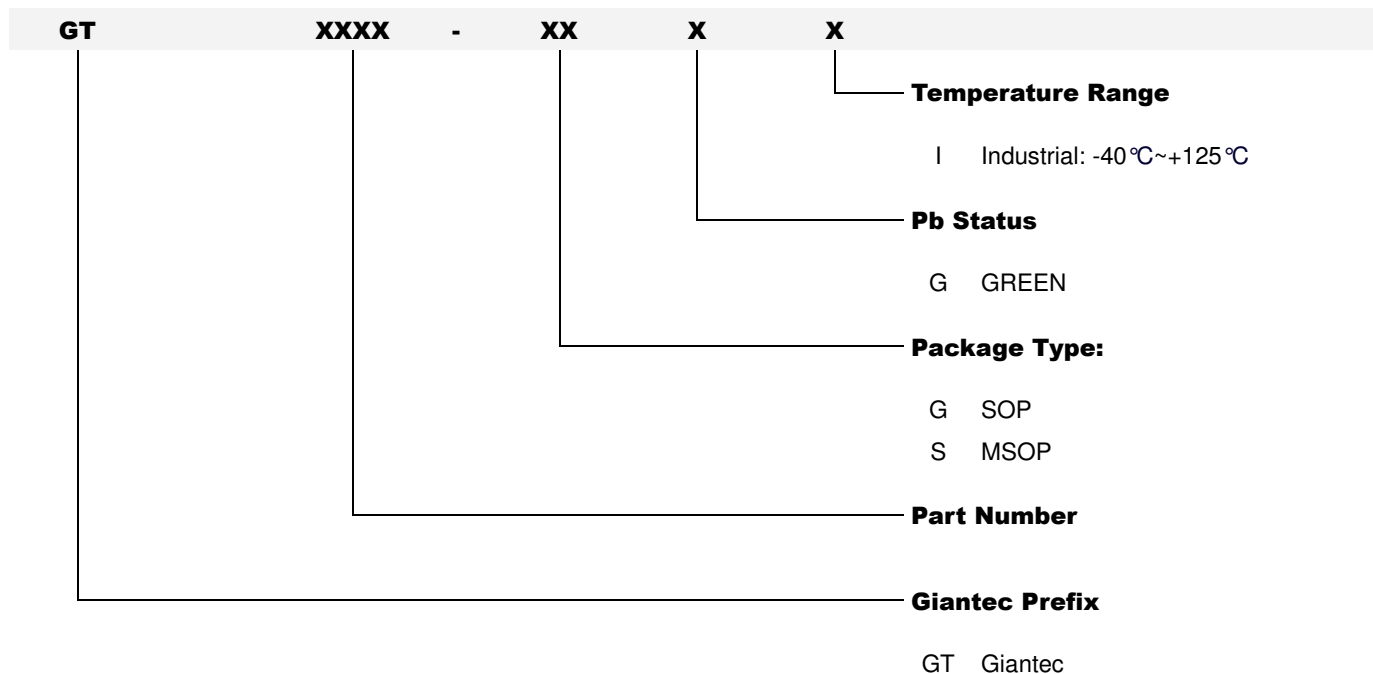
At  $T_A=+25^\circ\text{C}$ ,  $R_L=100\text{ k}\Omega$  connected to  $V_S/2$  and  $V_{OUT}=V_S/2$ , unless otherwise noted.





# GT7359

## 7. Ordering Information



Order Number	Package Description	Package Option
GT7359-GGI-TR	SOP8	Tape and Reel 4000
GT7359-SGI-TR	MSOP8	Tape and Reel 4000



# GT7359

## 8. Part Markings

### 8.1 GT7359-GGI (Top View)

<u>G</u>	<u>T</u>	<u>7</u>	<u>3</u>	<u>5</u>	<u>9</u>	<u>G</u>	<u>G</u>	<u>I</u>
---	---	---	Lot Number			---	---	---
•		<u>Y</u>	<u>Y</u>	<u>W</u>	<u>W</u>	<u>S</u>	<u>V</u>	

#### GT7359GGI

##### Lot Number

States the last 9 characters of the wafer lot information

##### •

Pin 1 Indicator

##### YY

Seal Year

00 = 2000

01 = 2001

99 = 2099

##### WW

Seal Week

01 = Week 1

02 = Week 2

.

.

.

51 = Week 51

52 = Week 52

##### S

Subcon Code

J = ASESH

L = ASEKS

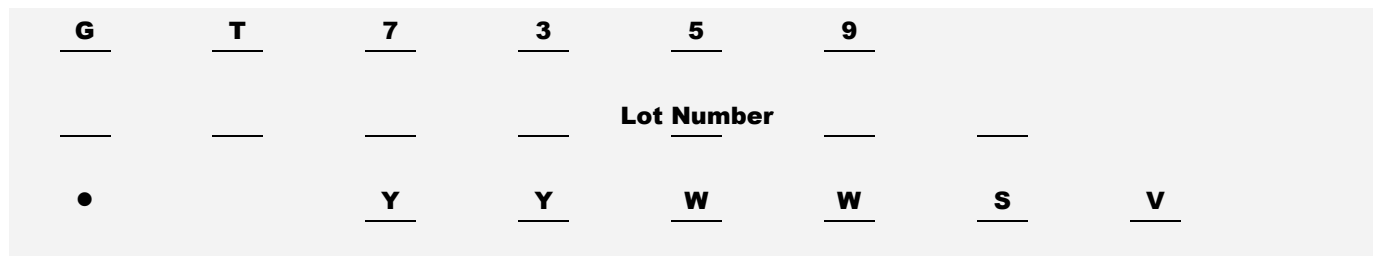
##### V

Die Version



# GT7359

## 8.2 GT7359-SGI (Top View)



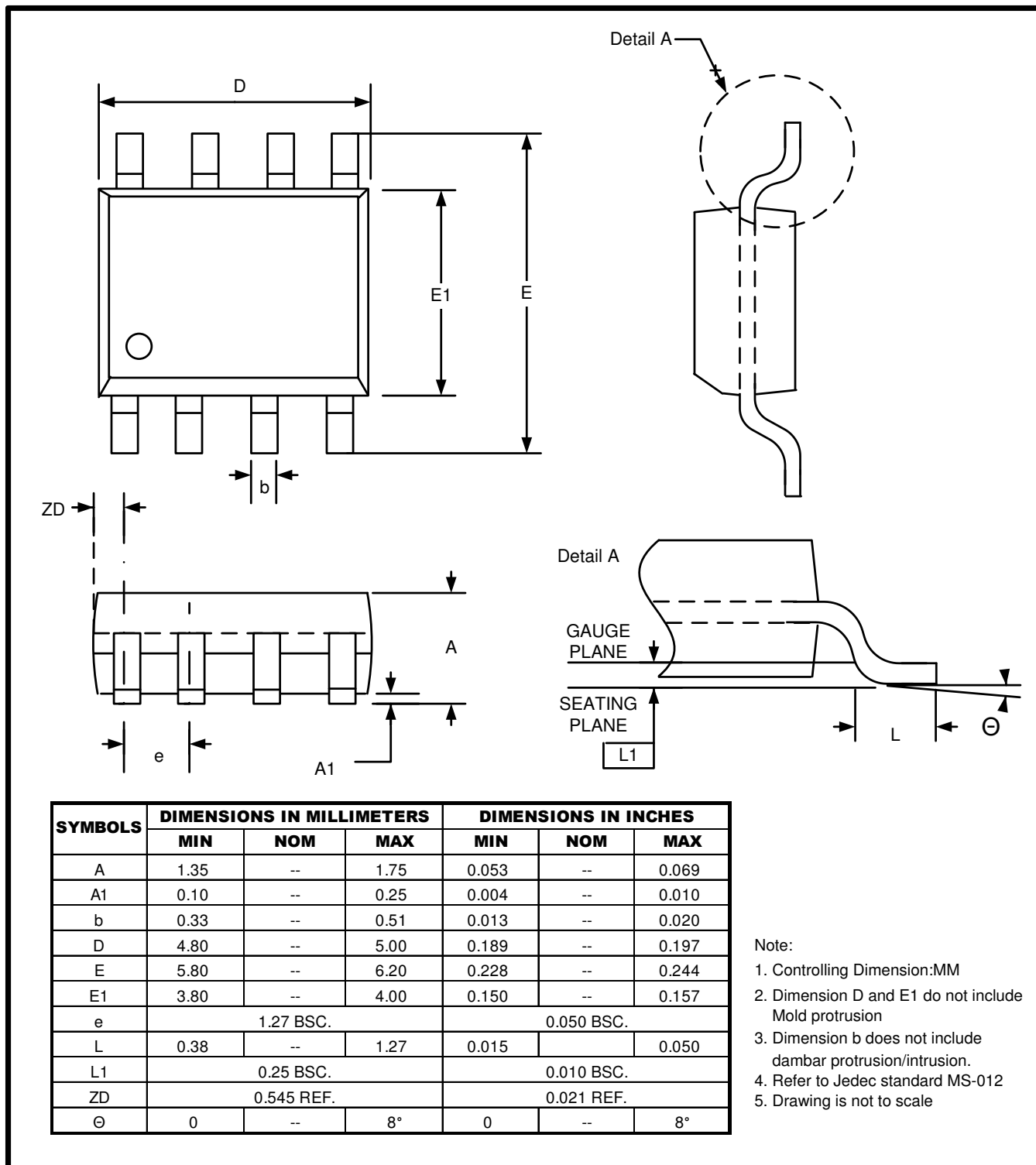
<b>GT7359SGI</b>	GT7359-SGI
<b>Lot Number</b>	States the last 7 characters of the wafer lot information
<b>•</b>	Pin 1 Indicator
<b>YY</b>	Seal Year 00 = 2000 01 = 2001 99 = 2099
<b>WW</b>	Seal Week 01 = Week 1 02 = Week 2 . . . 51 = Week 51 52 = Week 52
<b>S</b>	Subcon Code J = ASESH L = ASEKS
<b>V</b>	Die Version



# GT7359

## 9. Package Information

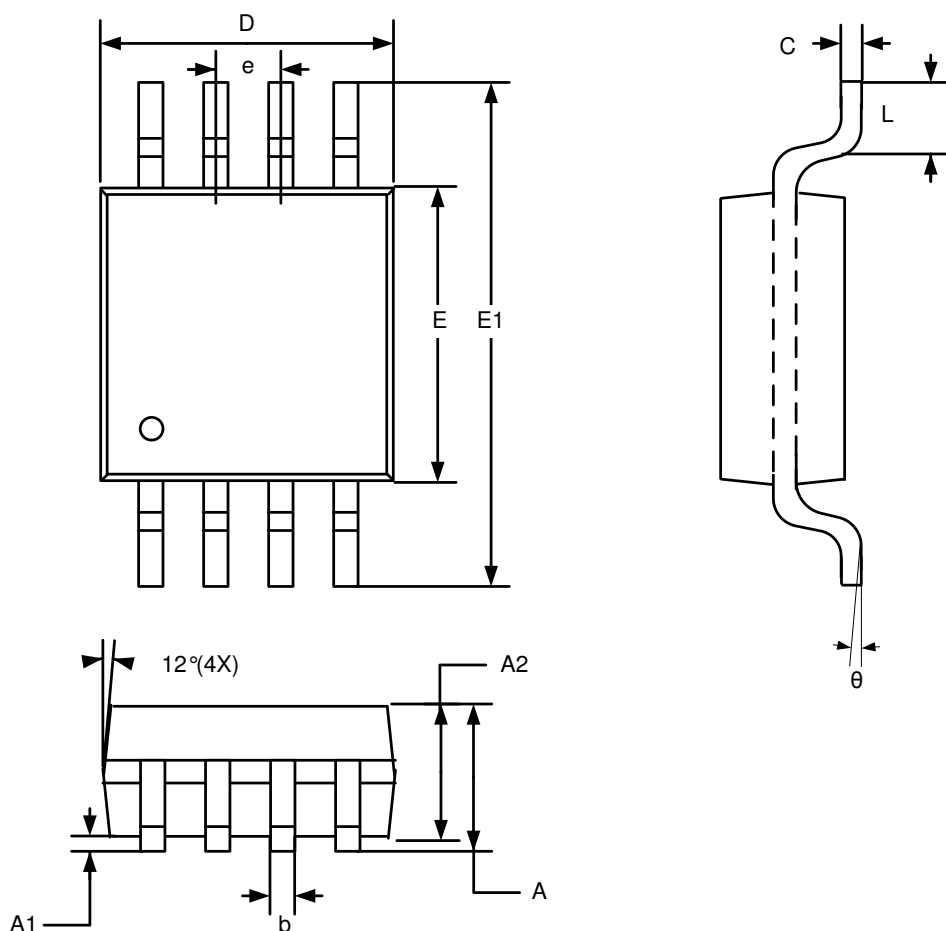
### 9.1 SOP8





# GT7359

## 9.2 MSOP8



SYMBOLS	DIMENSIONS IN MILLIMETERS			DIMENSIONS IN INCHES		
	MIN	NOM	MAX	MIN	NOM	MAX
A	--	--	1.10	--	--	0.043
A1	0.05	--	0.15	0.002	--	0.006
A2	0.75	0.85	0.95	0.030	0.033	0.037
b	0.25	--	0.40	0.010	--	0.016
C	0.13	--	0.23	0.005	--	0.009
D	2.90	3.00	3.10	0.114	0.118	0.122
E	2.90	3.00	3.10	0.114	0.118	0.122
E1	4.90 BSC			0.193 BSC		
e	0.65 BSC			0.026 BSC		
L	--	--	0.55	--	--	0.022
Θ	0	--	7°	0	--	7°

- Note:
1. Controlling Dimension:MM
  2. Dimension D and E1 do not include Mold protrusion
  3. Refer to Jedec standard MO187
  4. Drawing is not to scale



# **GT7359**

---

## **10. Revision History**

<b>Revision</b>	<b>Date</b>	<b>Descriptions</b>
A0	Oct.,2011	Initial Version