



7050 Crystal Clock Oscillator

■ Holder Type: C4(7.0×5.0)

Frequency Range:

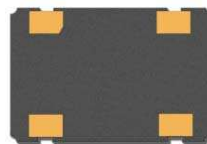
1.50MHz to 160.00MHz

Features:

- High Reliability & Low Cost Unit
- Tight Stability & Extended Temperature Available
- Lead-free Type
- For automotive applications, please contact our sales representative



Actual Size



Standard Specifications

Item	Value	
Frequency Range	1.50 to 160.00MHz	
Frequency Tolerance @ 25 °C	±25ppm, ±50ppm, ±100ppm (tighter tolerance also available)	
Operating Temperature Range	0 °C to +70 °C / -40 °C to +85 °C (other operating range also available)	
Operable Temperature Range	-55 °C to +125 °C	
Output Type	HCMOS / TTL	
Output Load	1.5MHz to 50MHz: 50pF Max	10TTL
	>50MHz to 80MHz: 30pF Max	
	>80MHz to 160MHz: 15pF Max	
Operating Voltage	3.3V±10% / 5V±10%	
Output Symmetry	HCMOS:40~60% (at 50% V _{DD}) 45~55% is available	TTL: 40~60% (at 1.4V V _{DD}) 45~55% is available
“High” Output Voltage	HCMOS: 90% V _{DD} Min	TTL: 2.4V Min
“Low” Output Voltage	HCMOS: 10% V _{DD} Max	TTL: 0.4V Max
Current Consumption	1.50 to 7.00MHz	30mA Max
	>70.00 to 160.00MHz	50mA Max
Rise and Fall Time	1.50 to 160.00MHz	6ns Max
Tri-State	Yes	
Aging	Max 5ppm / year	

Note:

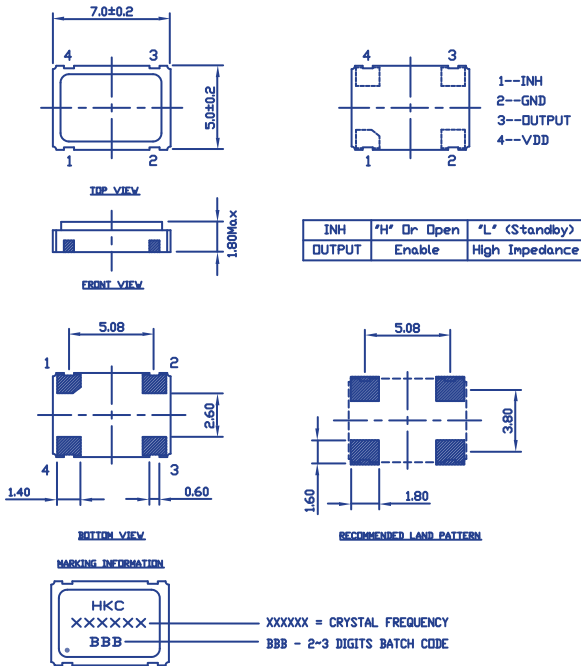
1. Manufacturer reserves the right to change the specification and content of this product for improvement without notification.
2. Custom specification is welcome. Please contact our sales representative for further details.
3. If the crystal is intended for applications which have direct impact on human life and properties, and require a high degree of reliability and safety concerns, customers must provide full information such as but not limit to the application, electrical and reliability specification at the inquiry beginning stage.



■ Holder Type: C4(7.0×5.0)

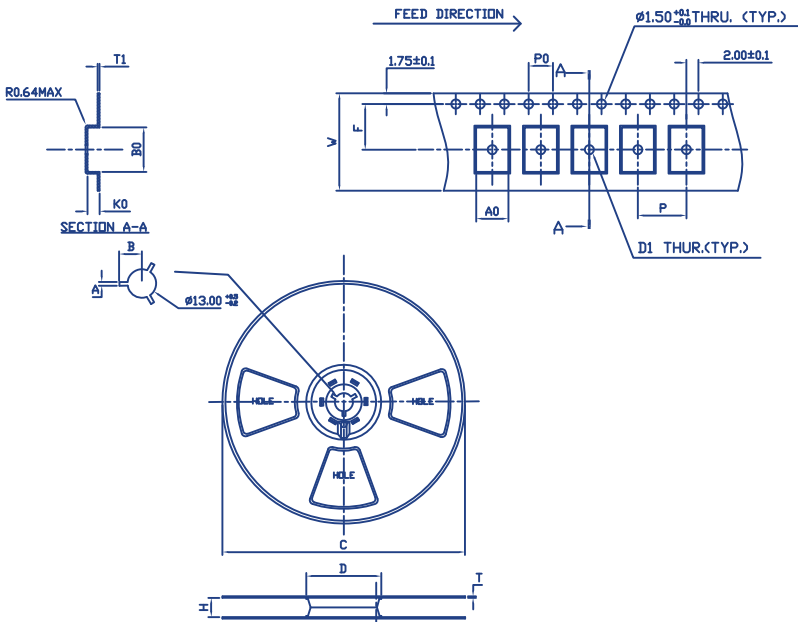
7050 Crystal Clock Oscillator

■ Dimensions (mm) and Solder Pad Layout (mm)



CLOCK
OSCILLATORS

■ Tape & Reel (mm)



		7x5 OSC.	
T A P E	PART NO.	48060041	
	W	16.00±0.1	
	P	8.00±0.1	
	A0	5.30±0.1	
	B0	7.80±0.1	
	K0	2.00±0.1	
	P0	4.00±0.1	
F	7.50±0.1		
D1	1.50±0.05		
T1	0.30±0.05		
R E E L	PART NO.	48060024 / 48060050	
	C	Ø178.0±1	Ø330±1
	A	2.0±0.5	2.3±0.3
	B	10.0±0.5	10.75±0.2
	D	Ø50.0±0.5	Ø100.0±1
H	16.5±0.5	16.5±0.5	
T	1.50±0.2	2.3±0.3	
QTY.	1000PCS/R	4000PCS/R	