



Cylinder Type Crystals

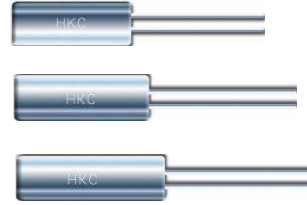
■ Holder Type: 2T / 3T / 4T

Frequency Range:

4.00MHz to 100.00MHz

Features:

- High Reliability & Low Cost Unit
- RoHS Compliant



Actual Size



QUARTZ
CRYSTALS

■ Standard Specifications

Item	2T (2×6)		3T(3×8)		4T (3×9)	
	4~32MHz	30~100MHz	4~32MHz	30~100MHz	4~32MHz	30~100MHz
Frequency Range	4~32MHz	30~100MHz	4~32MHz	30~100MHz	4~32MHz	30~100MHz
Mode	FUND.	3OT	FUND.	3OT	FUND.	3OT
Equivalent Series Resistance (ESR)	70~250Ω	150~200Ω	50~200Ω	100~150Ω	30~150Ω	80~100Ω
Frequency Tolerance	±30ppm (tighter tolerance also available)					
Frequency Tolerance over Temperature Range	±50ppm (tighter tolerance also available)					
Operating Temperature Range	-10 °C to +60 °C (other operating range also available)					
Operable Temperature Range	-40 °C to +85 °C					
Drive Level	50μW (0.001μW to 1000μW also available)					
Load Capacitance	12pF (3pF, 4.5pF, 6pF and series also available)					
Shunt Capacitance	7.0pF Max					
Aging	±5ppm/year					

Note:

1. Manufacturer reserves the right to change the specification and content of this product for improvement without notification.
2. Custom specification is welcome. Please contact our sales representative for further details.
3. If the crystal is intended for applications which have direct impact on human life and properties, and require a high degree of reliability and safety concerns, customers must provide full information such as but not limit to the application, electrical and reliability specification at the inquiry beginning stage.

<http://www.hongkongcrystal.com>

E-mail: China: salesen1@hongkongcrystal.com

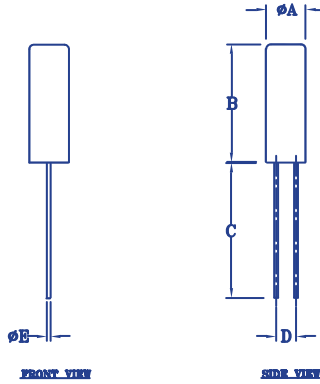
HongKong/Overseas: inquiry@hongkongcrystal.com

HongKong/Overseas: T:+852-35112388 F:+852-35112420

Shenzhen: T:+86-755-82540080 F:+86-755-82540036

Shanghai: T:+86-21-34250126 F:+86-21-34250126

■ Dimensions (mm)



MARKING INFORMATION



DIMENSION

ITEMS	2T	3T	4T
A	2.0±0.1	3.0±0.1	3.0±0.1
B	6.2 Max	8.2 Max	9.2 Max
C	5.0 Min	9.0 Min	9.0 Min
D	0.7±0.1	0.8±0.1	0.8±0.1
E	0.25±0.05	0.33±0.05	0.33±0.05