

# JANUS REMOTE COMMUNICATIONS

## Terminus 400AP Series

### Description

Introducing the Terminus GSM400AP, CDMA400AP and HSPA400AP open platform intelligent cellular terminals. Building on our highly successful Terminus line of M2M modules and terminals, the Terminus 400AP series products are complete wireless communication devices with integrated ARM9™ processors and expanded memory. They include serial, USB and Ethernet connectivity and voltage input range from 7 to 26 VDC. The Atmel ARM9™ architecture is capable of 400 MIPS and operates with Linux™ OS. The 400AP Series is the next evolution of M2M communications.



### Features

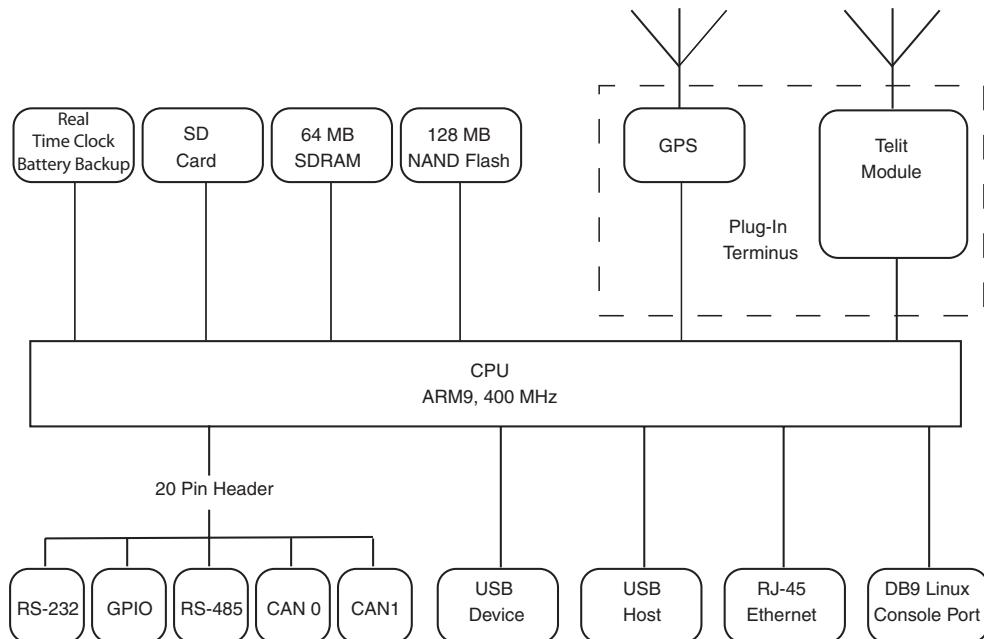
- ARM9™ Processor capable of running embedded Linux™
- 128 MB of NAND Flash
- 64 MB of SDRAM
- GSM, CDMA, HSPA
- 802.3 Ethernet 10/100
- USB Host Port
- Externally exposed RS-232 and RS-485 ports
- CAN Interface (2 Channels)
- Embedded GPS
- 4 Exposed GPIOs
- SD Card
- RTC with Battery Backup
- Ruggedized Aluminum Enclosure
- Dimensions: 3.15" (L) x 4.27" (W) x 1.18" (H)

### Benefits

- Quick-to-market solution
- Increased reliability from a proven hardware platform
- Uses Linux-based open source software for simplified development
- Cost-effective solution to custom manufacturing
- Easily adapts to future technology



Making machines talk.



Terminus 400AP Block Diagram

PRODUCT BRIEF

2111 Comprehensive Drive  
Aurora, Illinois 60505  
**630.499.2121**  
Fax: 630.851.5040  
www.janus-rc.com

Bulletin **JA07-PB**  
Revision **02**  
Date **27 Aug 2012**

# Terminus 400AP Series Module

## Hardware Specifications

### Processor & Memory

400 MHz ARM9™ CPU  
128 MB NAND Flash  
64 MB SDRAM

### External Interfaces & Connectors

Power Input: 7 to 26 Vdc  
Connectors: DB-9, USB 1.1, RJ-45 10/100 Ethernet, GPS MCX female and GSM/CDMA SMA female  
LEDs for power, cellular link status, Ethernet link, and speed  
1 programmable LED for application specific use  
SD Card

### Internal Peripherals

RTC (Real Time Clock) with battery backup  
Full GPS receiver  
GSM/CDMA/HSPA Cellular Options  
Debug serial console port  
802.3 Ethernet 10/100  
CAN  
RS-232  
RS-485 configured for J1708  
USB Host  
SD Card



## Ordering Information

Ordering Information	Terminus Description
GSM400AP v1.1	GSM with GPS
GSM400AP v2.0	GSM without GPS
CDMA400AP v2.0	CDMA – Sprint Certified
CDMA400AP v3.0	CDMA – Verizon Certified
CDMA400AP v4.0	CDMA – Aeris Certified
HSPA400AP v1.0	HSPA+ / GSM-GPRS / EDGE / UMTS
EVDO400AP v3.0	EV-DO – Verizon

**JANUS** REMOTE  
COMMUNICATIONS

Division of The Connor-Winfield Corporation  
2111 Comprehensive Drive • Aurora, Illinois 60505  
630.499.2121 • Fax: 630.851.5040

[www.janus-rc.com](http://www.janus-rc.com)

**Janus Remote Communications Europe**  
Bay 143  
Shannon Industrial Estate  
Shannon, Co. Clare, Ireland  
Phone: +353 61 475 666