

# EJ220 Product Specification

## HighPoint High Density SATA JBOD Solution

### EJ220 SATA JBOD Controller : The Cost-Effective Alternative for high-density Storage Applications

The HighPoint EJ220 is a SATA-JBOD expansion and system management controller board, designed for use with RocketRAID 2700 SAS/SATA 6Gb/s HBA's. The EJ220 is an invaluable tool for the professional OEM/ODM Solution Provider, and can be integrated into a variety of chassis and enclosure designs alongside Highpoint HBA's, to deliver cost-effective, robust high-density storage solutions.



### EJ220 + RocketRAID 2700 HBA : HighPoint's SATA JBOD Solution

EJ220 controllers provide two internal Mini-SAS connectors (SFF-8087), and a single external Mini-SAS connector (SFF-8088). The internal ports host the storage solution's SATA devices. The external port is used to connect the EJ220 to the host RocketRAID 2700 HBA. The EJ220 effectively doubles the number of devices each RR2700 HBA device port can support. Each EJ220 board can support up to 8 SATA hard disks and SSD's.

### System Management

The EJ220 is designed to work in conjunction with the RocketRAID 2700 series Web-Based management interface, and provides connectors for external temperature and voltage sensors, an audible alarm for error/warning conditions, LED connectors for the device ports and chassis components, and can host up to 3 cooling fans.

The RocketRAID 2700 Web GUI provides a real-time monitoring system known as **Adaptive Intelligent Storage Management (AISM)**. AISM actively monitors the storage environment, and allows the administrator to set thresholds including temperature, fan speeds and voltage measurements.

### Key Features

- Support up to 8 SATA HDD or SSDs
- Up to max 2GB/s
- 2 x SFF-8087 connectors support 8 SATA 3.0Gb/s devices
- 1 x SFF-8088 connector support SATA 3.0Gb/s host side connection
- Centronics Mount Compliant (82.5mm X 88mm)
- Mini 4pin Power Supply Connector
- Supports Windows, Linux, OS X
- Compatible with RocketRAID 2711/2721/2722/2744/2760/2782 HBA's

### Enclosure Management Features

- Integrated temperature sensor with Port for additional external sensor
- 3 fan ports with Status Monitoring and Automated Speed control
- Integrated warning beeper with Mute Button can be configured to sound audible alarms in the case of device or component failure
- Voltage Monitoring – onboard and external sensor support
- Power Supply (status monitoring with TTL)
- Enclosure Status LED's (fan temp, power, voltage)
- Device Port Activity/Fail LED
- EJ200 power and status LED front panel
- LCD connector

### RAID Management GUI

- Configure, monitor and maintain storage hardware with Web-Based GUI
- Robust Non-RAID (JBOD) or RAID Support (0, 1, 10, 5)
- Intuitive, web-browser style interface
- SHI – Storage Health Inspector – monitor condition
- of SATA HDD (SMART, temperature, condition)
- Error Alarm and Warning Message Alert system, Event Log and E-Mail Notification

### Chassis Management

- Administrator controlled environmental thresholds (temperature, voltage)
- Intelligent FAN Control – will automatically adjust fan speed based on threshold settings

# EJ220 Product Specification

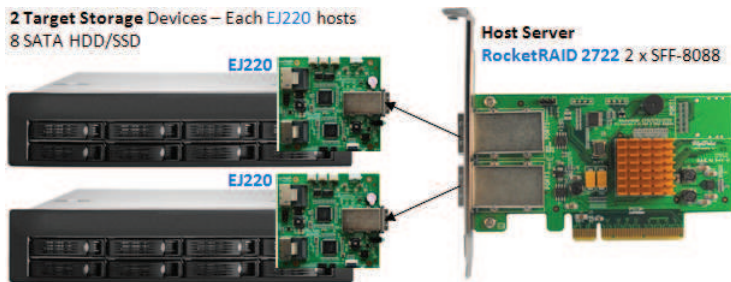
## HighPoint High Density SATA JBOD Solution

### EJ220 SATA JBOD Configurations

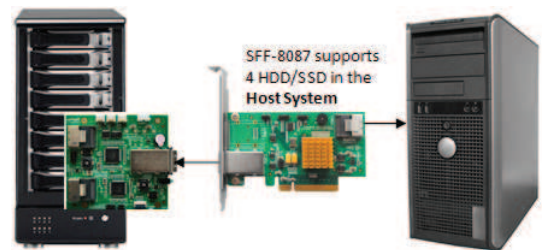
The EJ220, when used in conjunction with RocketRAID 2700 HBA's, and can be configured into a wide range of storage configurations.

#### EJ220 + RocketRAID 2722 - 16 external HDD/SSD

2 Target Storage Devices – Each EJ220 hosts 8 SATA HDD/SSD



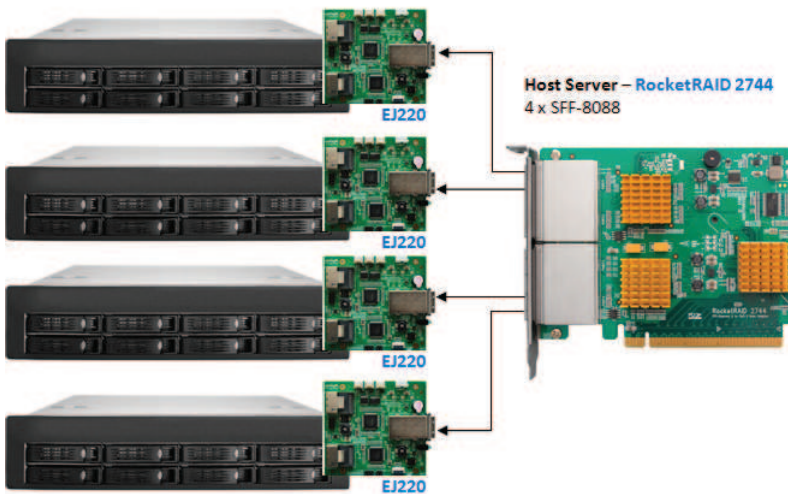
#### EJ220 + RocketRAID 2721 4 external / internal HDD/SSD



Target External Storage  
EJ220 hosts 8 SATA HDD/SSD

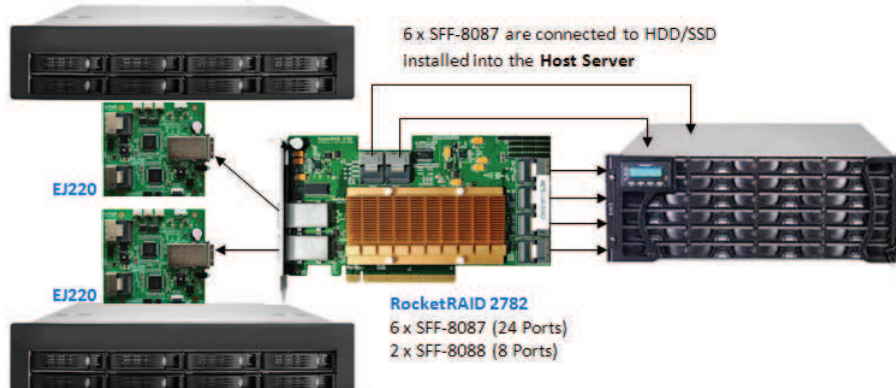
#### EJ220 + RocketRAID 2744 - 32 external HDD/SSD

4 Target Storage Devices – Each EJ220 hosts 8 SATA HDD/SSD



#### EJ220 + RocketRAID 2782 - 16 external HDD/SSD + 24 internal HDD/SSD

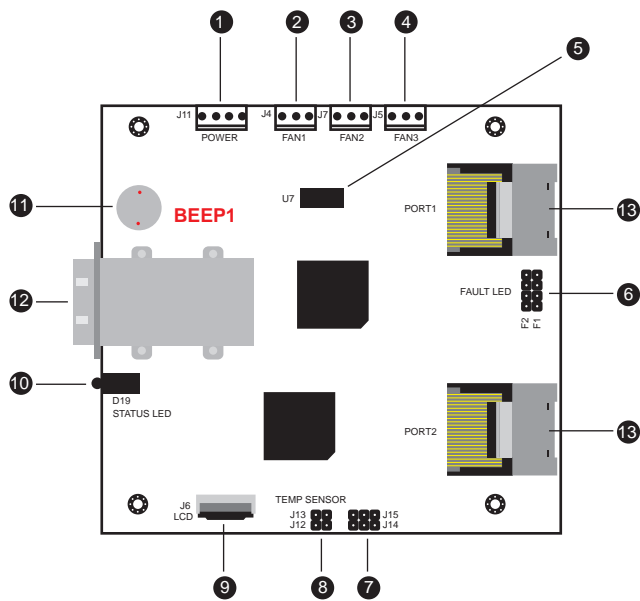
2 Target Storage Devices  
Each EJ220 hosts 8 SATA HDD/SSD



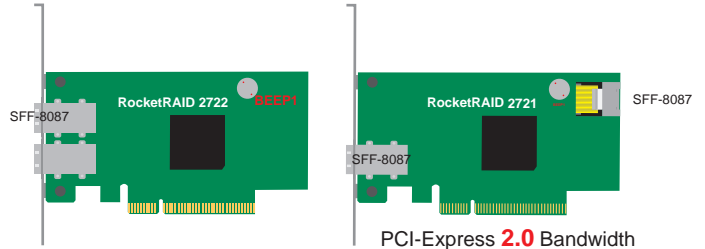
## EJ220 - HighPoint High Density SATA JBOD Solutions

### Device End Board Outline

The EJ220 controller board layout:



### Host End Board Outline



The RocketRAID 2700 HBA series represent an unprecedented dollar-per-gigabyte value. Revolutionary PCI-E Gen 2.0 x8 SATA deliver maximized performance. A wide range of software suites are available for High Port Count HBA's, and can be tailored to meet the needs of any storage application, including SAS Expander and Cascade configurations, SATA JBOD enclosures, conventional point-point connectivity, and high-density Data Center Solutions.

Each software suite includes HighPoint's real-time Adaptive Intelligent Storage Management, which actively monitors and controls critical system components in order to maintain a stable environment for storage hardware. The compact, low-profile HBA design and industry standard Mini-SAS ports connectors, provide the flexibility needed to meet the requirements of single or multiple chassis environments, and ensure easy and swift integration into any professional storage platform.

### Key Interface Descriptions

1	POWER (Floppy drive power connector)	9	LCD connector (For future use)
2-4	FAN1-FAN3 (3-pin FAN connector)	10	Status LED (HDD_ACT and HDD_FLT)
5	U7 (HW Monitor Chip Onboard)	11	Beeper
6	FAULT LED connectors	12	External Mini-SAS (SFF-8088)
7	Enclosure status LEDs connector (Power LED; Fail LED (fan; temp, power, voltage below); Power TTL input)	13	Internal Mini-SAS (SFF-8087)
8	External TEMP SENSOR connector		

### About Us

HighPoint designs and manufactures a full spectrum of SAS and SATA HBA's with Management Solutions for Versatile Storage Applications. We are long recognized as an innovator of RAID HBA technology and have continuously developed cutting edge RAID solutions to satisfy the industry's evolving storage requirements. HighPoint is the SAS and SATA Storage Industry price leader for all OEM/ODM, SMB and Enterprise HBA's. HighPoint has a successful track record of delivering products to fortune 500 companies and global storage providers. HighPoint has regional sales offices and world-wide distribution networks to better serve customers locally. For more info please visit the HighPoint web site at [www.highpoint-tech.com](http://www.highpoint-tech.com)

#### U.S. Headquarters

Address: 1161 Cadillac Court, Milpitas, CA 95035  
 Phone: 1-408-942-5800  
 Fax: 1-408-942-5801  
 E-mail: [sales@highpoint-tech.com](mailto:sales@highpoint-tech.com)

#### HighPoint Taiwan

Address: 5F, NO.3, Sweil Lane, Jhongjheng Rd., Sindian District, New Taipei City, 21348, Taiwan, R.O.C.  
 Phone: +886-2-2218-3435  
 Fax: +886-2-2218-3436  
 E-mail: [sales@highpoint-tech.com](mailto:sales@highpoint-tech.com)

#### HighPoint Beijing

Address: 4th Floor Kenaifulin Bld No. 12 Zhong Guan Cun South RD, Haidan Beijing, China 100081.  
 Phone: +86-10-68918759  
 Fax: +86-10-68975074  
 E-mail: [sales@highpoint-tech.cn](mailto:sales@highpoint-tech.cn)

Product pictures and specifications are subject to change without notice. All trademarks are the property of their respective holders. Copyright © 2011 by HighPoint Technologies, Inc.

One Year Limited Warranty