

Wide Band RF Amplifier

- * Operating Frequency : 2.5-6 GHz
- * Saturated Power : 25W Psat Typical
- * Gain : 24 dB
- * Operation Up to 28 Volts ¹



Description: Ultra wideband operation, Fiber Drivers, Test Instrumentation, All Purpose Power Amp

ELECTRICAL SPECIFICATION @ VDD= +28 VDC, -5VDC; Temp. = 25 °C, 50Ω System

| Parameter | Symbol | Min | Typ | Max | Unit |
|----------------------------------|---------|-----|----------|------|------|
| Operating Frequency | BW | 2.5 | | 6 | GHz |
| Gain | G | 22 | 24 | 28 | dB |
| Gain Flatness | Δ G | | ±3.0 | ±3.5 | dB |
| Power Added Efficiency | PAE | | 30 | | % |
| Power Output | Psat | 43 | 44 | | dBm |
| Output 3rd Order Intercept Point | OIP3 | 53 | 54 | | dBm |
| 2nd Harmonic | HIP2 | 54 | 56 | | dBm |
| Return Loss in/out | S11/S22 | 5 | 10 | | dB |
| Operating Voltage ¹ | Vdc | | +28, -5V | | Volt |
| Operating Current | Idq | | 1200 | 1700 | mA |

Note 1: Also Available In A Single +30V Supply

MECHANICAL SPECIFICATION

| Parameter | Description | Limits | Units |
|----------------------|-------------|--------|--------|
| Dimension | 2x1x0.50 | | inches |
| RF Connectors IN/OUT | SMA-F | | |
| DC Connector | Filtered DC | | |
| | | | |
| | | | |

PROTECTIONS

| | Max | |
|-----------------------------|---------------|-------|
| RF Input Power | 10 | dBm |
| Reverse Polarity Protection | | |
| Load VSWR | 5:01 | RATIO |
| Stability | Unconditional | |

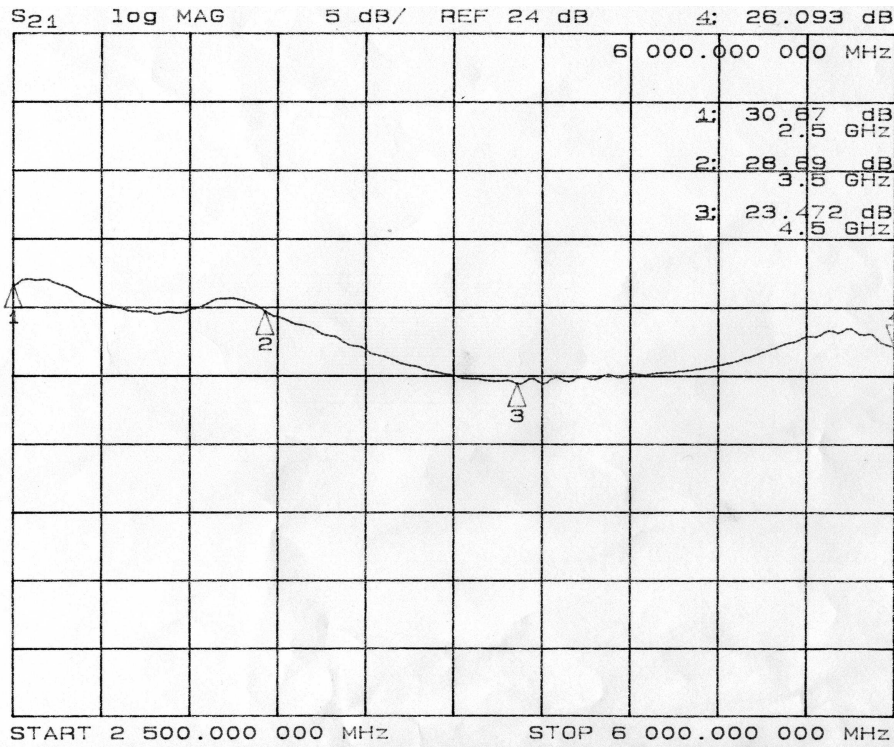
ENVIROMENTAL CHARACTERISTICS

| Parameter | Symbol | Min. | Typ. | Max | Units |
|----------------------------|--------|------|------|-------|-------|
| Operating Case Temperature | Tc | 0 | | 75 | °C |
| Storage Temperature | Tstg | -55 | | 150°C | °C |
| | | | | | |

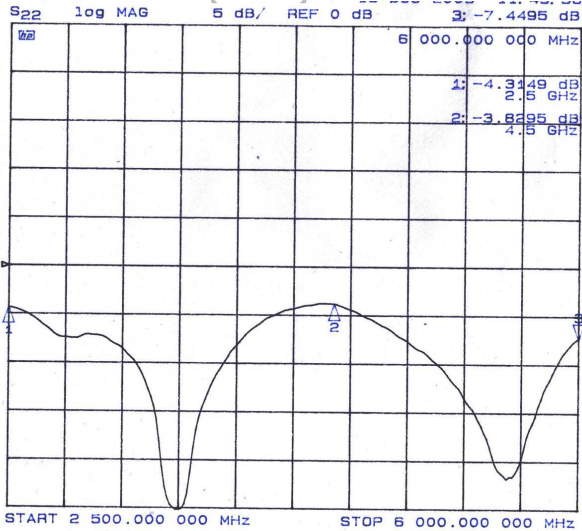
3009 Old State Road Telford, PA 18969

Web: www.amplifiersolutions.com
 Email: sales@amplifiersolutions.com

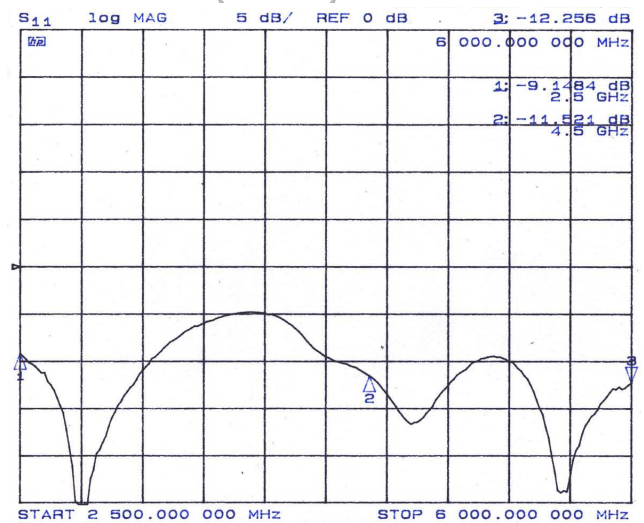
Tel: 215-799-2561
 Fax: 215-799-2563



RETURN LOSS (INPUT)



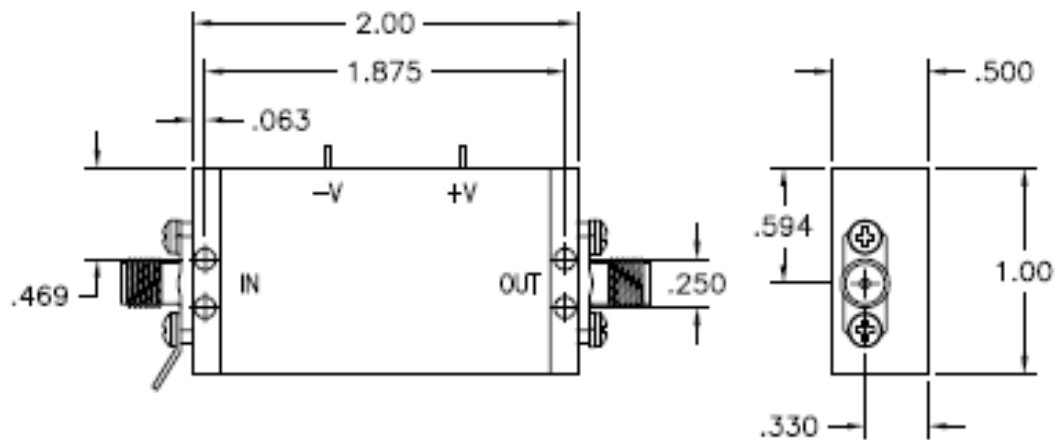
RETURN LOSS (OUTPUT)



3009 Old State Road Telford, PA 18969

Web: www.amplifiersolutions.com
 Email: sales@amplifiersolutions.com

Tel: 215-799-2561
 Fax: 215-799-2563



3009 Old State Road Telford, PA 18969

Web: www.amplifiersolutions.com
Email: sales@amplifiersolutions.com

Tel: 215-799-2561
Fax: 215-799-2563