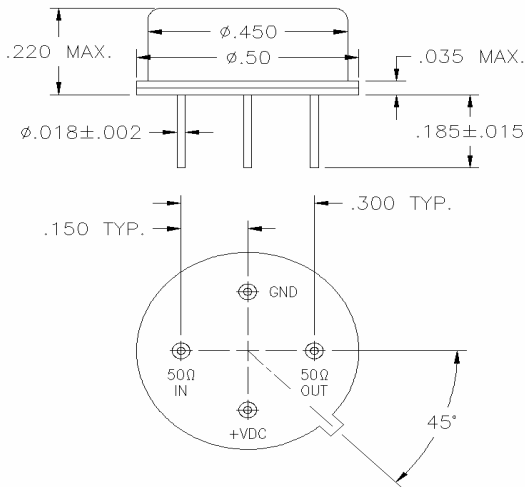


ASC600 30-200 MHz. Cascadable Amplifier



Features: (typical values)

- High Reverse Isolation 28.0 dB
- Medium Noise Figure 3.2 dB.
- High Output Power +24.0 dBm.
- High Reliability
- Hermetic Package (Surface mount available)

Specifications (Referenced to 50 ohms)

Parameter	Typical Value	Min. Value	Max. Value	Units
Frequency		30	200	MHz.
Gain	15	13.0		dB.
Gain Flatness	±0.2		±1.0	dB.
Gain Var. over temp.	0.6			ΔdB.
Pout @ 1dB. Comp.	+24.0	+22.0		dBm.
Noise Figure	3.2		5.0	dB.
Reverse Isolation	28.0			dB.
IP ₃ /IP ₂ (two-tone)*	38/50	33/44		dBm.
HIP2 (2 nd harm.)	55			dBm.
VSWR In/Out	1.6:1		2.0:1	
Supply Req'd	+15/96		+15/105	v/mA.

Min. and max. values are from -55°C to +85°C
 *IP3 and IP2 are in band output intercept points

Maximum Ratings

- Storage Temperature -62°C to +125°C
- DC Voltage +17 volts
- RF Input Power +13.0 dBm.
- Case Temperature +95°C

Typical Performance Curves

- ■ -55°C - ◆ -+25°C - ▲ -+85°C

