

Features: (typical values)

- Super Linearity
- Medium Noise Figure 3.0 dB.
- High Output Power +22.0 dBm.
- High Reliability
- ASC662F for Hermetic Package (Surface Mount available)
- ASC662C for SMA-F

**250-3000 MHz
Wideband Amplifier
Gain Block
Super Low Cost**



Maximum Ratings

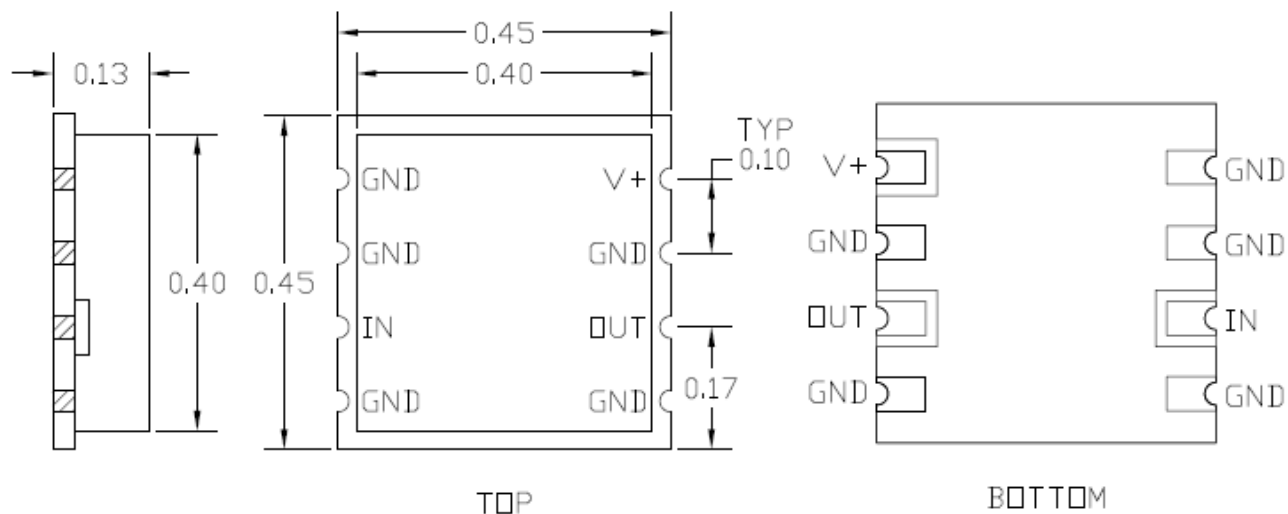
Storage Temperature -62°C to +125°C
 DC Voltage +7 volts
 RF Input Power +15.0 dBm.
 Case Temperature +100°C

Specifications (Referenced to 50 ohms)

Parameter	Typical Conditions	Min Value	Max Value	Units
Frequency		250	3000	MHz.
Gain	12	11.0		dB.
Gain Flatness	±0.25		±0.5	dB.
Gain Var. over temp	0.6			ΔdB.
Pout @ 1dB Comp	+22.0	+20.0		dBm.
Noise Figure	3.0		4.5	dB.
Reverse Isolation	16			dB.
IP ₃ /IP ₂ (two-tone)*	37/44	35/40		dBm.
HIP2 (2 nd harm.)	50.0			dBm.
VSWR In/Out	1.7:1		2.0:1	
Supply Required	+5/150		+5/170	v/mA.

Min. and max. values are from 0°C to +85°C

*IP₃ and IP₂ are in band output intercept points



Typical Performance Curves

-■- -55°C -◆- +25°C -▲- +85°C

