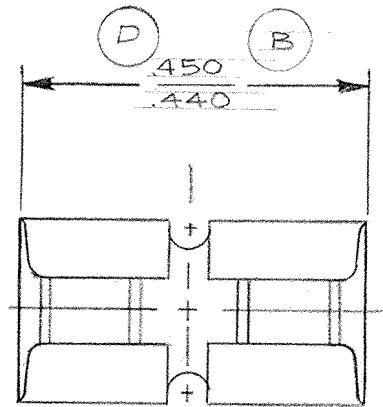
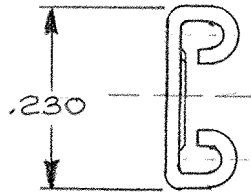


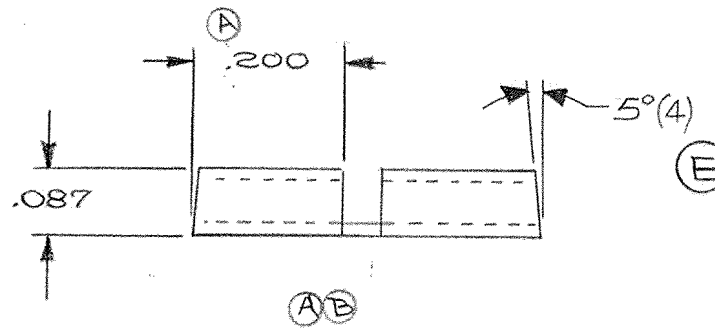
DEPT.	
1	
2	
3	
4	
5	
6	
7	1
8	
9	
10	
11	
12	
TOOLED	

TERMINAL, FEMALE ~ MALE TO MALE CONNECTOR.

CUSTOMER PRINT



ARK-LES
UNCONTROLLED



NOTES:
1. MATES WITH .187 X .030/.024 MALE TAB.

ORIGINAL IF RED

							F.M.F.	
E	ADDED 5° ANGLE BOTH ENDS DCR 1379	5-19-77	F.A.	RELEASED FOR PRODUCTION	5-10-77	BMM 0052	R.M.	TOLERANCES UNLESS OTHERWISE SPECIFIED:
D	.450/.440 WAS .460/.440 DCR 1365	5-12-77	R.M.	RELEASED FOR QUOTATION	3-16-77	BMM 7131	PB	DECIMALS ±.010
C	P/N WAS 3500HX001, PROD. REL.	5-10-77	R.M.	NEW DRAWING SUPERSEDES				ANGLES ±1°
B	30°(2) REMOVED; 450 ADDED	4-29-77	PB	DRAWN BY P.B.	DO NOT SCALE DRAWING			
A	.200 WAS .188; 30°(2) ADDED	4-27-77	PB	CHECKED BY F.A.	MATERIAL BRASS CDA 260			
REVISIONS		DATE	APP.	APPROVED BY Bishop	FINISH BRIGHT DIP			

DATE OF DRAWING 16 MAR 77

SCALE: 4/1

DATE OF PRINT