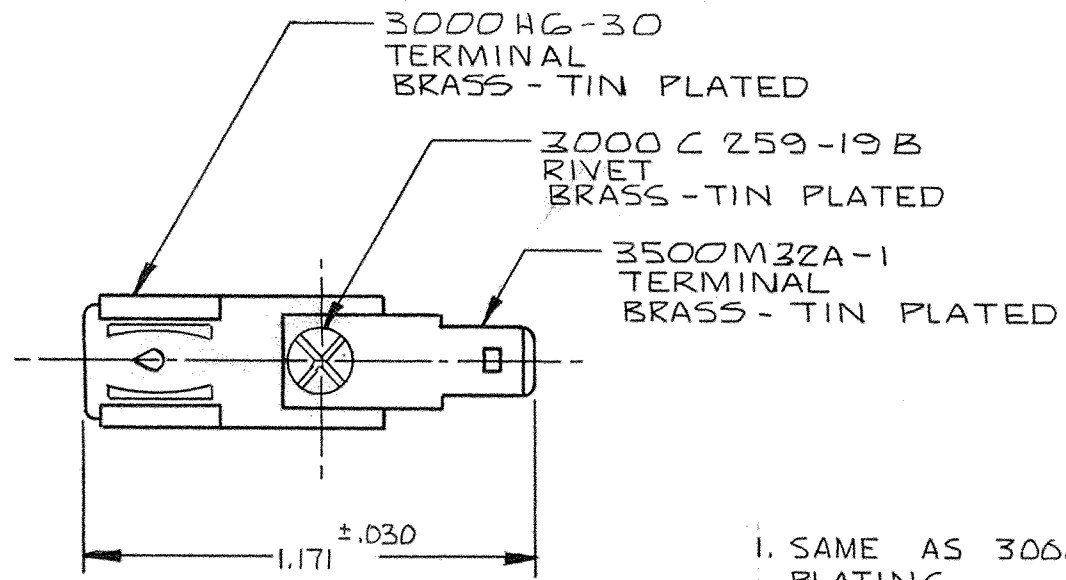


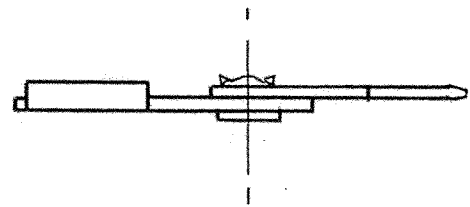
DEPT	
1	1
2	
3	
4	1
5	
6	
7	
8	
9	
10	
11	
12	
NC	
JZ	3

PART NAME: ADAPTOR ASSEMBLY

PART NO. 3000 \$76 A



1. SAME AS 3000 \$76 EXCEPT PLATING.
2. MALE TAB TO ACCOMMODATE STD. .187 X .020 FEMALE RECEPTACLE.
3. FEMALE RECEPTACLE TO ACCEPT STD. .250 X .032 MALE TAB.



**ARK-LES
UNCONTROLLED**

				PROD. REL.	78679	7-27-71	D.W.	TOLERANCES UNLESS OTHERWISE SPECIFIED :		
				QUOTE REL	78679	7-27-71	D.W.	DECIMALS ± .010	METRIC ± 0.25 mm	ANGLES ± 1°
				DR. PERROTTA	5-2-88		MATERIAL:			
				CHK'D.:	R.W.T./COR 5-4-88		FINISH:			
				APP.:	Bishop 5-5-88		PART NO: <u>3000 \$76 A</u>			
A	REV. & REDRAWN .. ECR 6808	5-2-88	PJP	SUPERSEDES DWG. DATED: 7-27-71						
REV.	DESCRIPTION	DATE	DR.	SCALE: 2X	F.M.F.					

ORIGINAL