

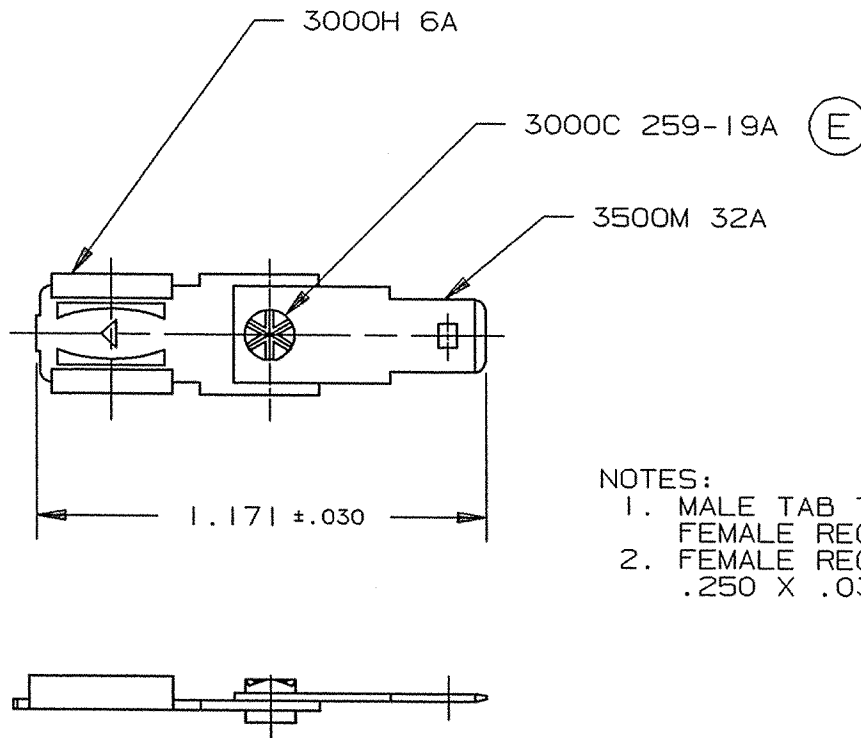
ARK-LES CORPORATION

STOUGHTON, MA

DEPT	
1	1
2	
3	
4	2
5	
6	
7	
8	
9	
10	
11	
12	
NC	
JZ	3

PART NAME: ADAPTOR ASSEMBLY

PART NO: 3000S 76



- NOTES:
1. MALE TAB TO ACCOMMODATE A .187 X .020 FEMALE RECEPTACLE.
 2. FEMALE RECEPTACLE TO ACCEPT .250 X .032 MALE TAB.

**ARK-LES
UNCONTROLLED**

			PROD. REL.	48126	10/8/68	RJ	TOLERANCES UNLESS OTHERWISE SPECIFIED:		
			QUOTE REL.	34425	10/5/67	JP	DECIMALS ±.010	METRIC ±0.25mm	ANGLES ±1°
			DR:	R. TASTULA	9/10/01		MATERIAL:		
			CHK'D:	R.W.T.	9-18-01		FINISH:		
E	REVISED & REDRAWN PER ECR #12214	9/10/01	RT	SUPERCEDES DWG. DATED:	10/8/68		PART NO: 3000S 76		
REV.	DESCRIPTION	DATE	DR.	SCALE: 2:1	CAD NO: ATRO011				

ORIGINAL IF RED