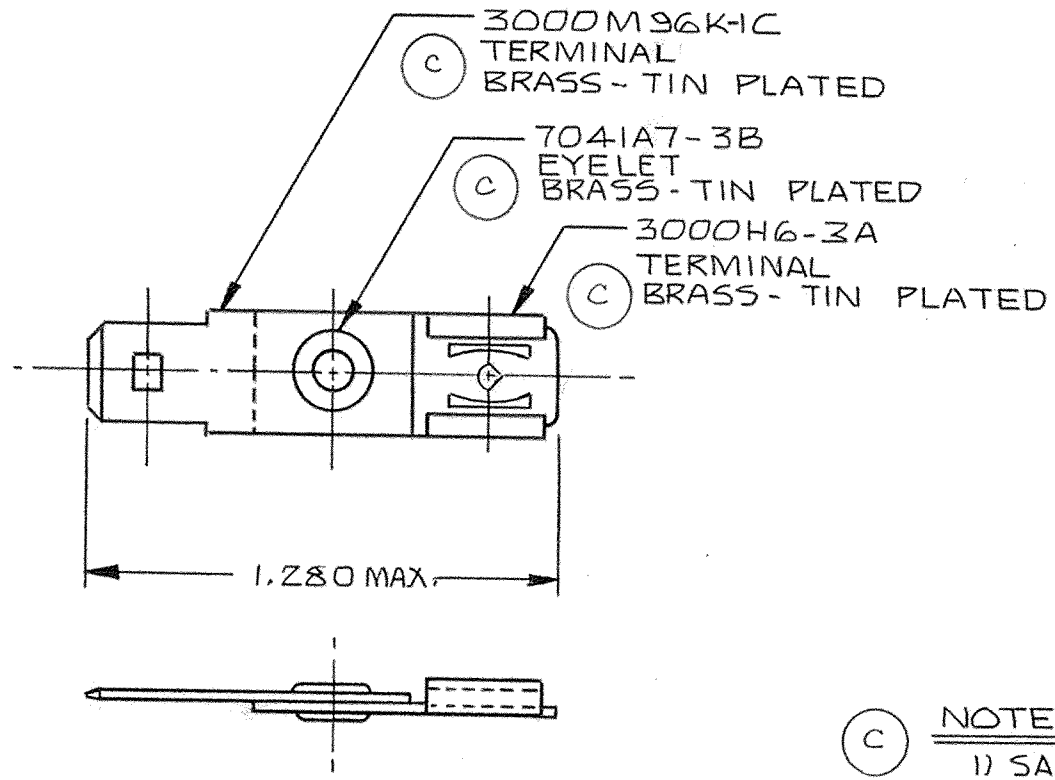


DEPT	
1	1
2	
3	
4	1
5	
6	
7	
8	
9	
10	
11	
12	
NC	2
JZ	3

PART NAME: ADAPTOR ASSEMBLY

PART NO. 3000\$79A

(D)



(C) NOTES:  
1) SAME AS 3000\$79  
EXCEPT PLATING.

ARK-LES  
UNCONTROLLED

				PROD. REL.	7-2-82	SK0883	R.T.	TOLERANCES UNLESS OTHERWISE SPECIFIED :		
				QUOTE REL	5-4-82	MM 42725	R.T.	DECIMALS ± .010	METRIC ± 0.25 mm	ANGLES ± 1°
				DR.	PERROTTA	5-2-88		MATERIAL:		
				CHK'D.:	R.W.T./COR	5-4-88		FINISH:		
D	PROD. REL. P/N WAS X3000\$79A ECR 10128	4-6-94	R.T.	APP.	Bislop	5-5-88		PART NO.:		
C	REV. & REDRAWN ... ECR 6808	5-2-88	FJP	SUPERSEDES DWG. DATED: 7-2-82				3000\$79A		
REV.	DESCRIPTION	DATE	DR.	SCALE:	ZX	F.M.F.				

137407

ORIGINAL

(D)