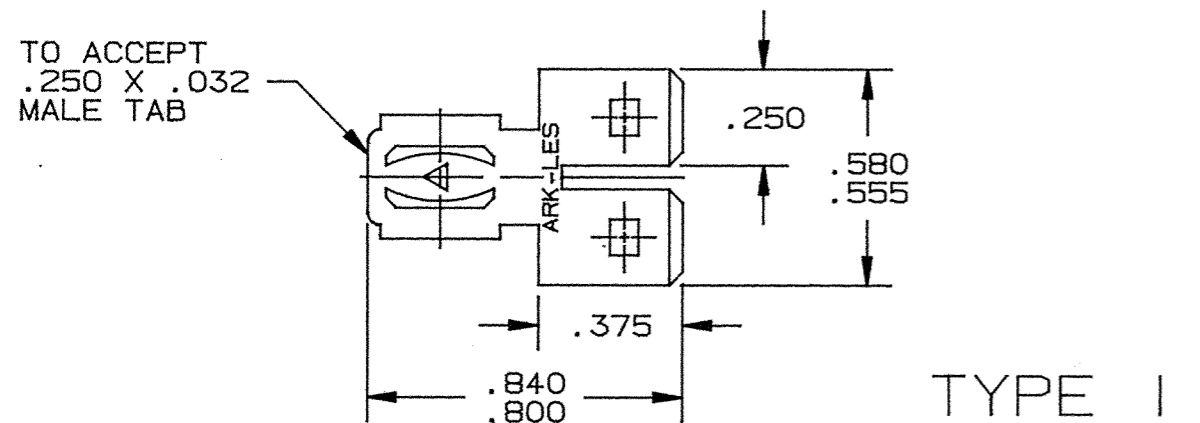
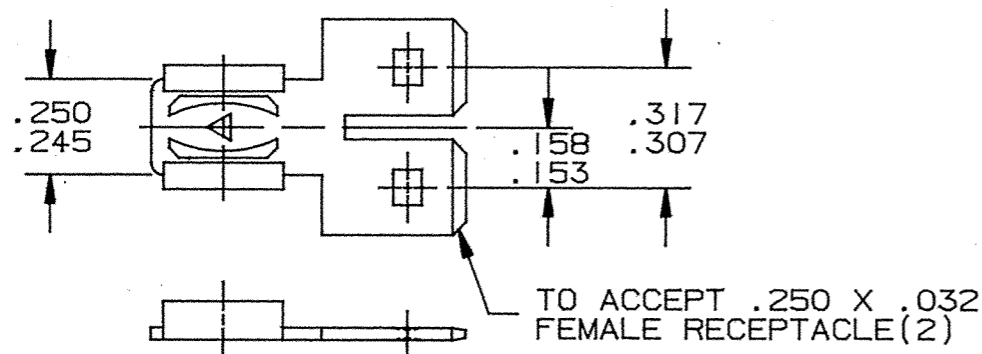


DEPT	
1	I
2	
3	
4	I
5	
6	
7	
8	
9	
10	
11	
12	
NC	
JZ	

PART NAME: TERMINAL, MALE & FEMALE

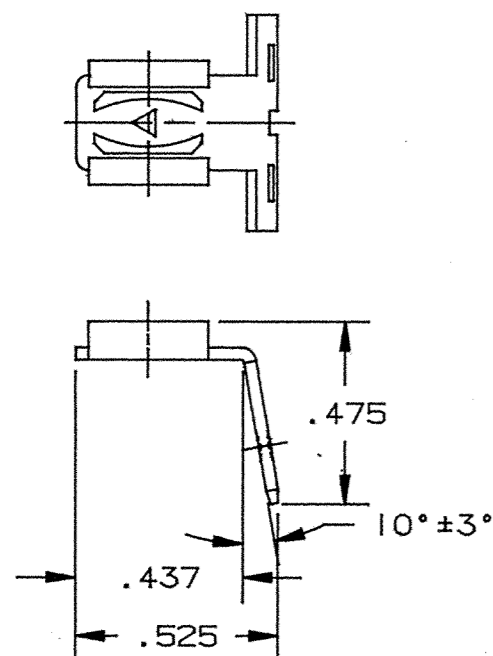
PART NO: 3000S4 I /



PART NUMBER	TYPE	MATERIAL	FINISH
3000S4 I	1	.032 ±.001 THK. BRASS	ELECTRO-TIN
3000S4 I B	1		NONE
3000S4 I B-2	2		NONE
3000S4 I E	1		NICKEL PLATE
3000S4 I G	1		SILVER PLATE
3000S4 I J	3		NONE
3000S4 I J-1	3		ELECTRO-TIN

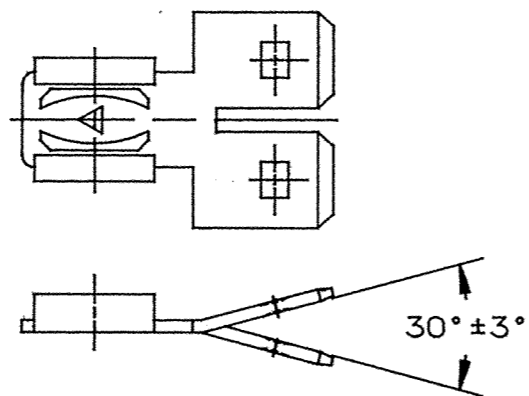
NOTES:  
 1. INSERTION AND WITHDRAWAL FORCES TO COMPLY WITH NEMA DC2-19XX AND UL310.

**ARK-LES**  
**UNCONTROLLED**



TYPE 2

SAME AS TYPE 1 EXCEPT AS SHOWN



TYPE 3

SAME AS TYPE 1 EXCEPT AS SHOWN

PROD. REL.	ECR9370	11-18-92	R.T.	TOLERANCES UNLESS OTHERWISE SPECIFIED:
QUOTE REL.				DECIMALS ±.010   METRIC ±0.25mm   ANGLES ±1°
DR:	M. BUMILA	11-11-92		MATERIAL: SEE TABLE
CHK'D:	R.W.T.	11-13-92		FINISH: SEE TABLE
APP:	Bishop	11-18-92		PART NO: 3000S4 I /
A	REDRAWN & TABULATED DRAWINGS PER ECR #9370	11-11-92	M.B.	SUPERCEDES DWG. DATED:
REV.	DESCRIPTION	DATE	DR.	SCALE: 2X   CAD NO: BT0001