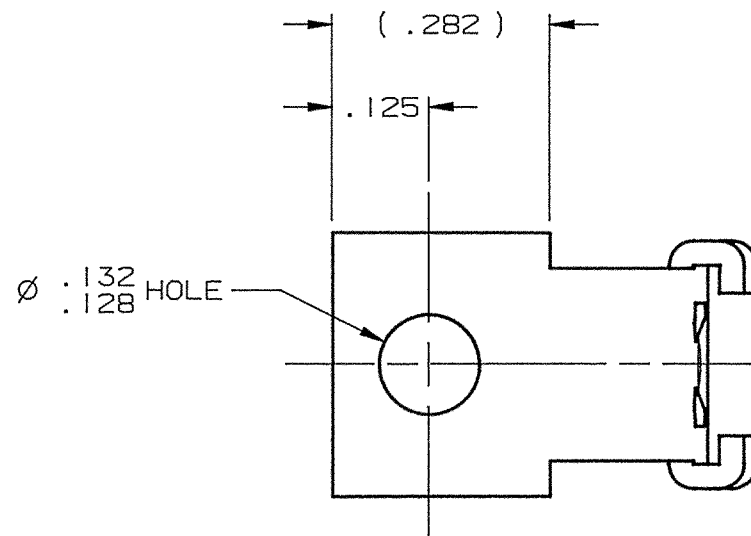
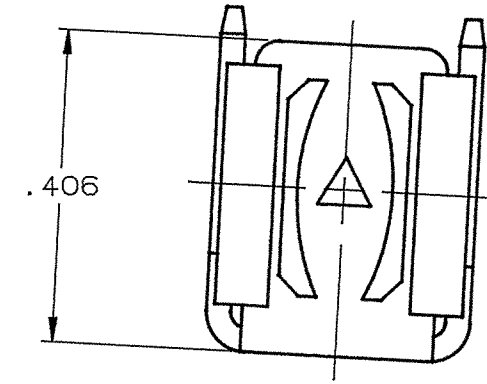
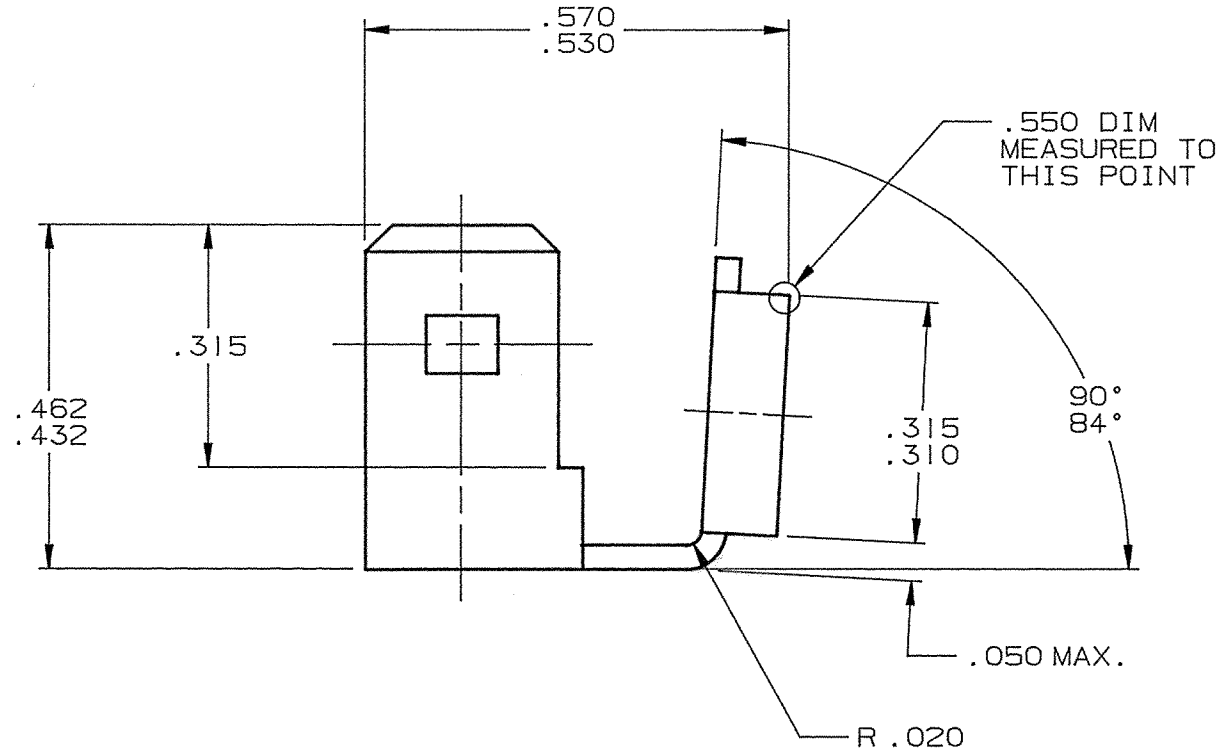
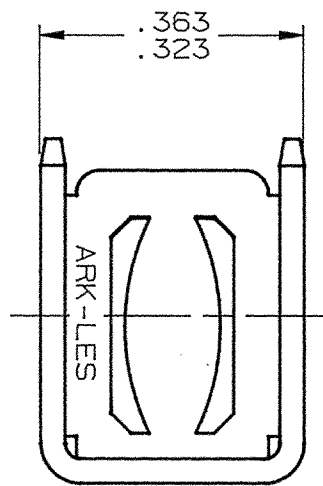


DEPT	
1	1
2	
3	
4	3
5	
6	
7	
8	
9	
10	
11	
12	
NC	
JZ	

PART NAME: TERMINAL, MALE & FEMALE

PART NO: 3000S116



NOTES

1. TO ACCEPT .250 X .032 MALE TAB.
2. TO ACCEPT A .250 X .032 FEMALE RECEPTACLE.
3. INSERTION/WITHDRAWAL FORCES TO COMPLY WITH UL 310.

ARK-LES
UNCONTROLLED

				PROD. REL.	RM 2300	6/7/90	RT	TOLERANCES UNLESS OTHERWISE SPECIFIED:		
				QUOTE REL.				DECIMALS ±.010	METRIC ±0.25mm	ANGLES ±1°
				DR:	B J CARUTHERS	2/14/96		MATERIAL: .032±.001 THICK BRASS		
				CHK'D:	R.W.T.	2-26-96		C26000, 1/2 HARD		
				APP:	COR	2-28-96		TENSILE: 57,000-67,000 PSI		
E	REVISED & REDRAWN PER ECR #10805	2/14/96	BJC	SUPERCEDES DWG. DATED: 11/16/92			FINISH:	NONE		
REV.	DESCRIPTION	DATE	DR.	SCALE: 4=1	CAD NO: BTR0004		PART NO:	3000S116		

ORIGINAL IF RED