

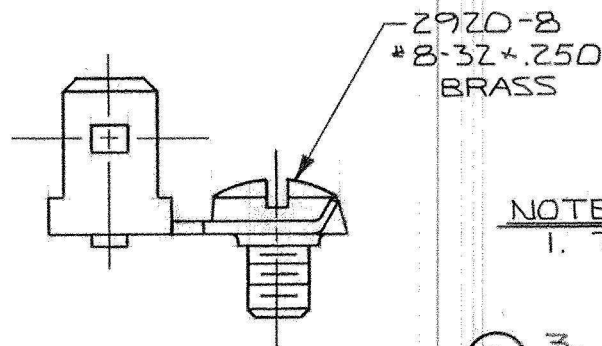
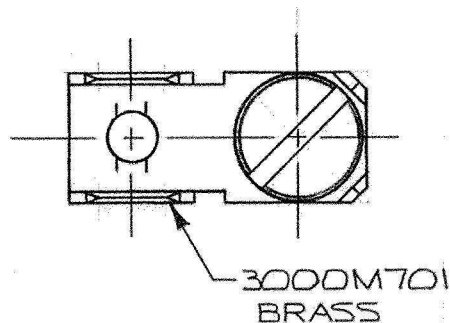
DEPT	
1	
2	
3	
4	
5	
6	
7	
8	
9	
10	
11	
12	6
ME	

PART NAME:

SUB-ASS'Y SCREW & TERMINAL

PART NO.:

38005327



NOTES

1. TO BE ASSEMBLED BY BODINE MACHINE.

3. TO ACCEPT A .250 X .032 FEMALE QUICK-CONNECT.

ARK-LES UNCONTROLLED ORIGINAL IF RED

				PROD. REL.	75410	1-22-74	P.C.	TOLERANCES UNLESS OTHERWISE SPECIFIED :		
				QUOTE REL.				DECIMALS ± .010	METRIC ± 0.25 mm	ANGLES ± 1°
				DR.:	A. PAPIA	8-20-86		MATERIAL:		
				CHK'D.:	R.W.T.			H		
C	REVISED PER ECR 7829	2-8-90	PP	APP.:	R.W.T.	8-28-86		FINISH:		
B	REDRAWN W/O CHANGE	8-20-86	AP	SUPERSEDES DWG DATED: 1-22-74				H		
REV.	DESCRIPTION	DATE	DR.	SCALE:	2:1	F.M.F.		PART NO.:		
								38005327		