

ARK-LES CORPORATION

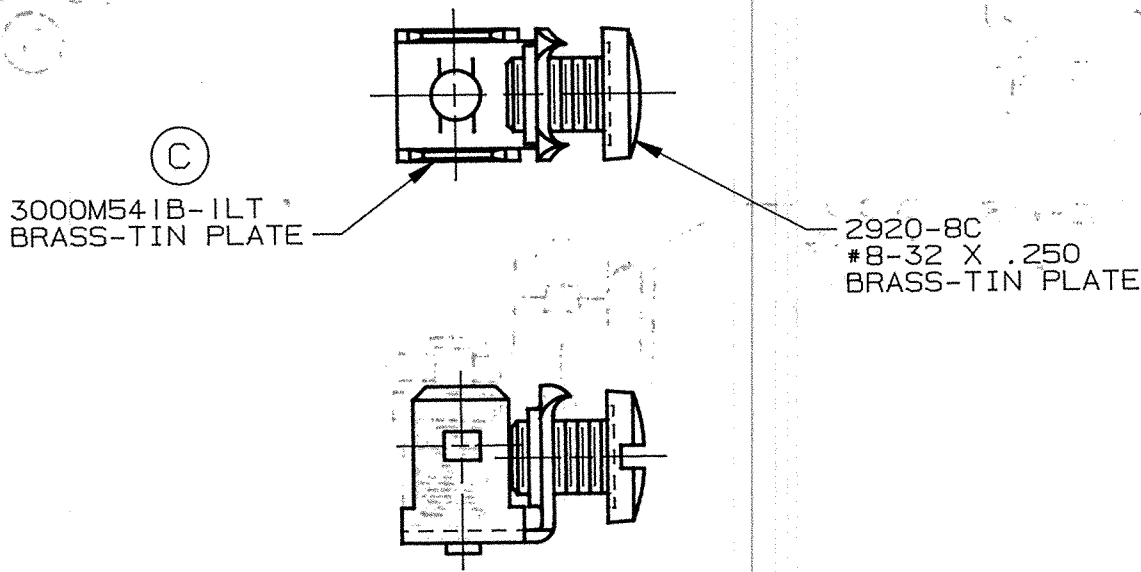
WATERTOWN, MA

DEPT	
1	
2	
3	
4	3
5	
6	
7	
8	
9	
10	
11	
12	7
NC	
JZ	

PART NAME: SCREW & TERMINAL, SUB-ASS'Y

PART NO: 3800S313A

- NOTES:
1. TO BE ASSEMBLED BY BODINE MACHINE. FIRST TWO THREADS TO BE DEFORMED SO AS NOT TO ALLOW REMOVAL OF SCREW. SCREW THEN TO BE BACKED OUT.
 2. TO ACCEPT A .250 X .032 FEMALE QUICK-CONNECT.



ARK-LES UNCONTROLLED

ORIGINAL IF RED

				PROD. REL.	DH 2017	8/28/86	RT	TOLERANCES UNLESS OTHERWISE SPECIFIED:		
				QUOTE REL.				DECIMALS ±.010	METRIC ±0.25mm	ANGLES ±1°
				DR:	B. J. CARUTHERS	4/3/95		MATERIAL:		
				CHK'D:	R.W.T.	4-7-95		FINISH:		
				APP:	CR	4-13-95		PART NO: 3800S313A		
C	REVISED & REDRAWN PER ECR • 10503	4/3/95	BJC	SUPERCEDES DWG. DATED:	8/20/86					
REV.	DESCRIPTION	DATE	DR.	SCALE: 2:1	CAD NO: AVH0013					