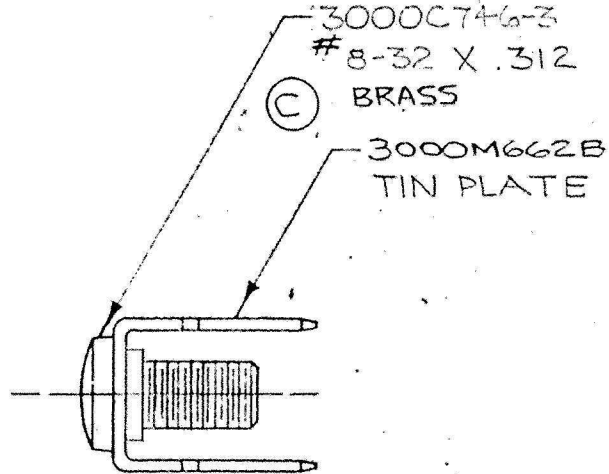
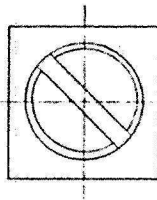


DEPT.	
1	2
2	7
3	
4	
5	2
6	
7	
8	
9	
10	
11	
12	5

SCREW & TERMINAL SUB ASSEMBLY



NOTE:

1. TO BE ASSEMBLED BY BODINE MACHINE.

Ⓒ 3. TO ACCEPT A .250 X .032 FEMALE QUICK-CONNECT.

ORIGINAL IF RED

ARK-LES
UNCONTROLLED

				RELEASED FOR PRODUCTION	1-3-74	PER CAR	TOLERANCES UNLESS OTHERWISE SPECIFIED:	
				RELEASED FOR QUOTATION			DECIMALS ±.010	ANGLES ±1°
C	REVISED PER ECR 7829	2-8-70	PJP	NEW DRAWING SUPERSEDES			DO NOT SCALE DRAWING	
B	NO. WAS 386 10 301 PER ECR 306	11-13-74	R.T.	DRAWN BY P.C.	MATERIAL	AL		
A	NOTE #2 ADDED PER JOHN TORRI	12-5-74	P.C.	CHECKED BY R.W.				
	REVISIONS	DATE	APP.	APPROVED BY	FINISH	AL		

DATE OF DRAWING 12-21-73

SCALE 2 TO 1

DATE OF PRINT