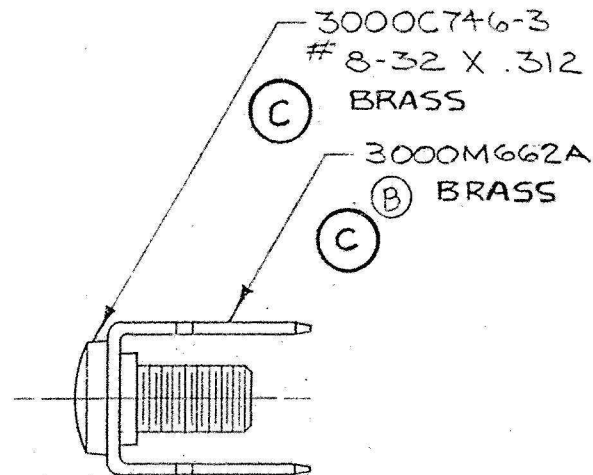
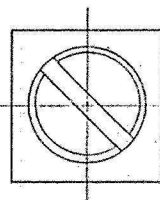


DEPT.	
1	2
2	1
3	
4	
5	2
6	
7	
8	
9	
10	
11	
12	5

## SCREW & TERMINAL SUB ASSEMBLY

386 10 300



**NOTE:**

1. TO BE ASSEMBLED BY BODINE MACHINE.

**ARK-LES  
UNCONTROLLED**

**(C)** 3. TO ACCEPT A .250 X .032 FEMALE QUICK-CONNECT.

ORIGINAL IN RED

			RELEASED FOR PRODUCTION	1-3-74	PER CAB	TOLERANCES UNLESS OTHERWISE SPECIFIED:	
			RELEASED FOR QUOTATION	BTMM2733		DECIMALS ±.010	ANGLES ±1°
C	REVISED PER ECR 7829	2-8-90	PJP	NEW DRAWING SUPERSEDES		DO NOT SCALE DRAWING	
B	NO. WAS 38610300 PER ECR 306	11-13-74	R.T.	DRAWN BY P.C.		MATERIAL <i>AL</i>	
A	NOTE #2 ADDED PER JOHN TORRI	1-25-74	P.C.	CHECKED BY <i>AN</i>		FINISH <i>AL</i>	
	REVISIONS	DATE	APP.	APPROVED BY <i>swt</i>	FINISH		
DATE OF DRAWING		12-21-73		SCALE		2 TO 1	
				DATE OF PRINT			