

DEPT	
1	1
2	
3	
4	3
5	
6	
7	
8	
9	
10	
11	
12	7
NC	
JZ	
DW	

PART NAME:

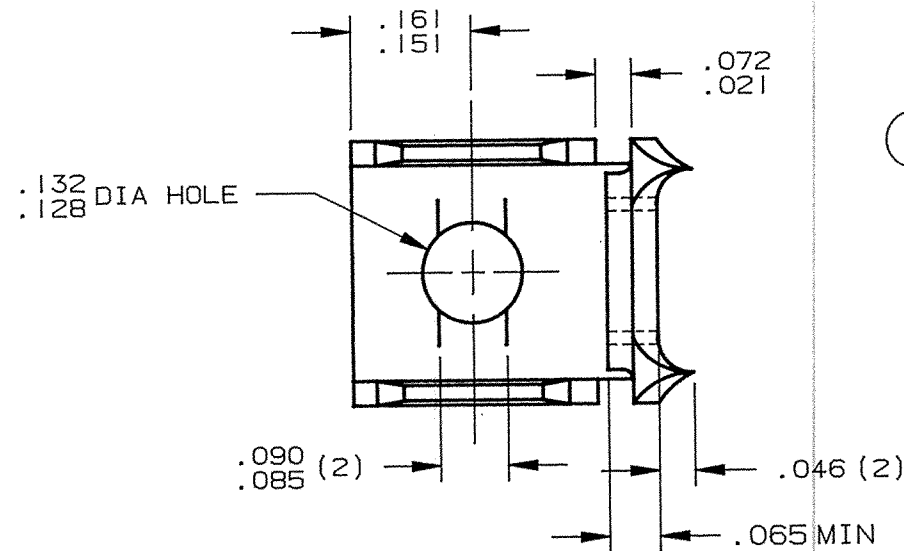
2 WAY MALE SCREW TERMINAL

PART NO: 3000M541-1C/

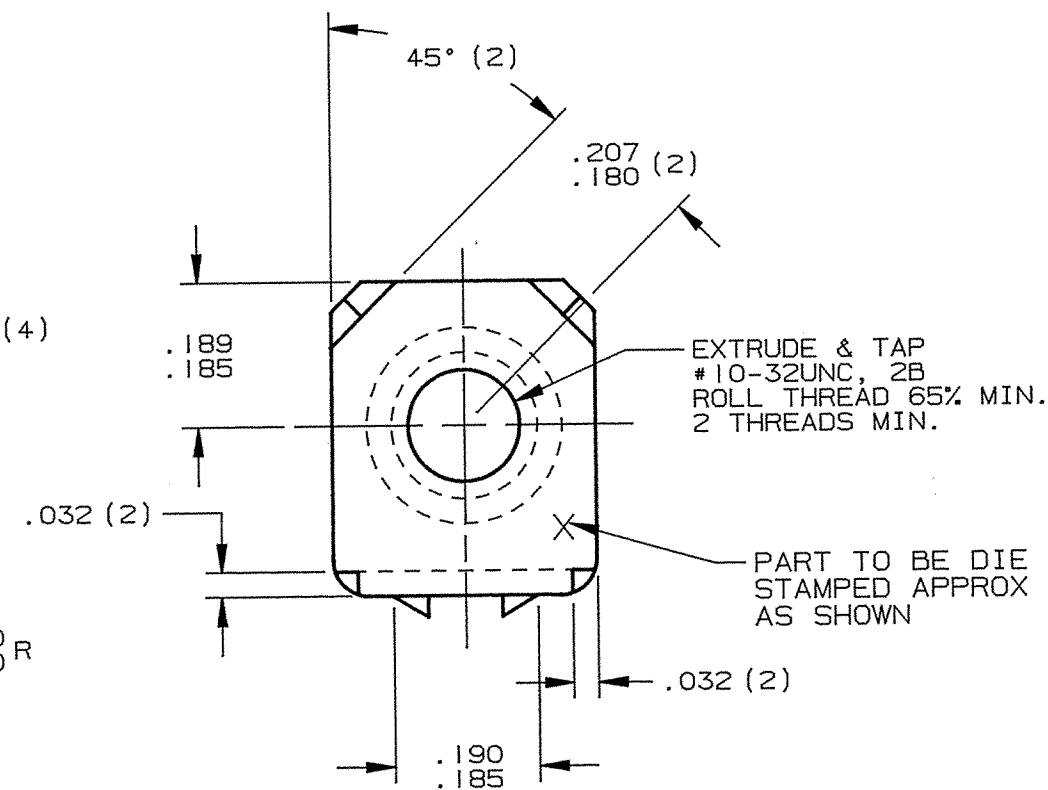
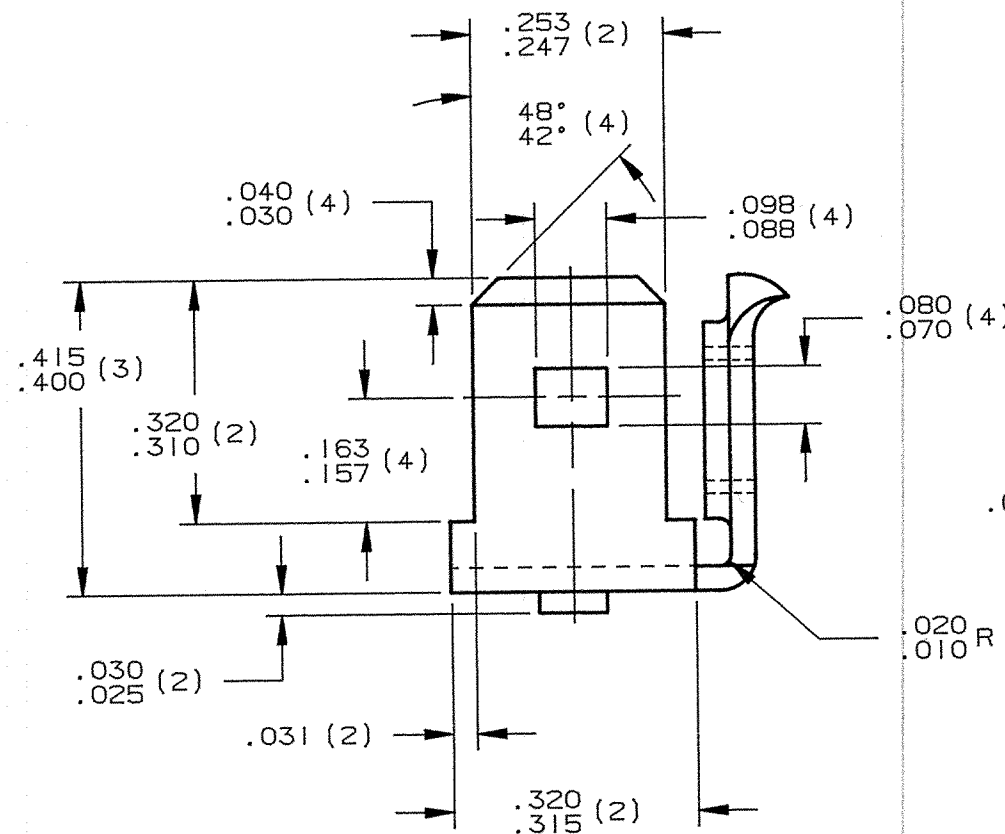
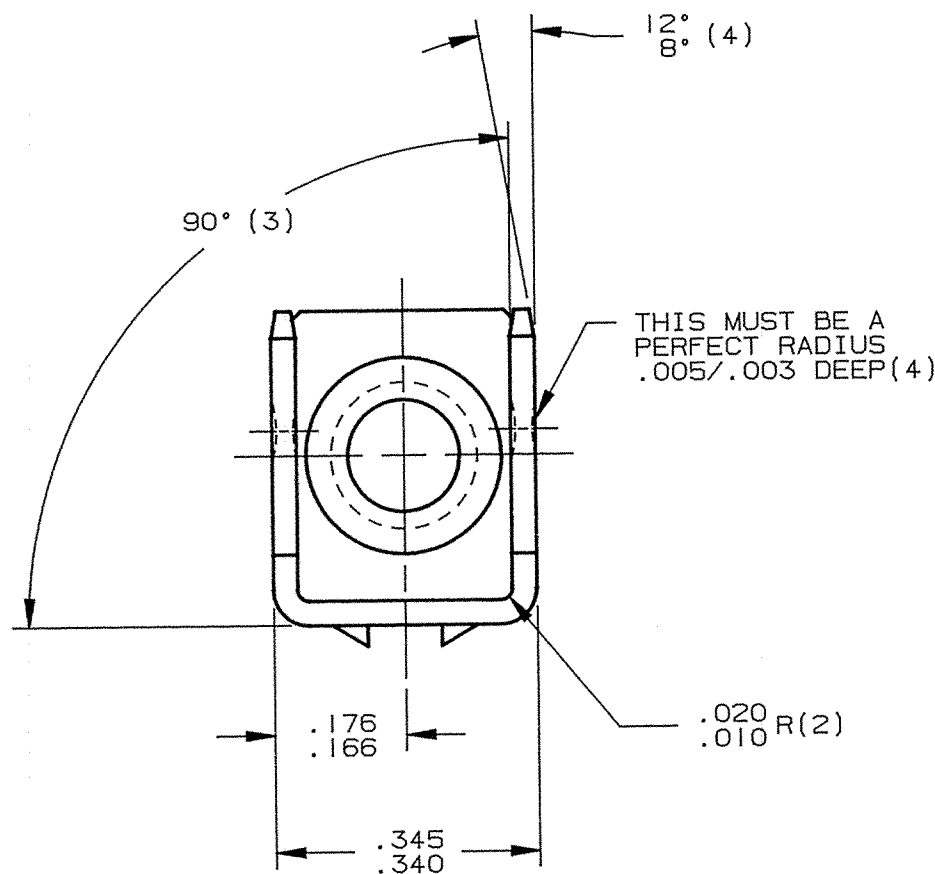
PART NO.	FINISH	COMMENTS
3000M541-1C	ELECTRO-TIN PLATE PCS 1002	
3000M541-1CLT	ELECTRO-TIN PLATE PCS 1002	LESS TAPPING
3000M541-1CLPLT	NONE	LESS PLATING & LESS TAPPING

NOTES

- ALL PORTIONS OF TAB SHOWN SHALL BE FLAT AND FREE OF BURRS OR RAISED PLATEAUS, EXCEPT THAT THERE MAY BE, IN AN AREA .050 SURROUNDING THE DETENT, A RAISED PLATEAU OVER THE STOCK THICKNESS OF .001 PER SIDE.
- DETENT SHALL BE LOCATED WITHIN .005 OF THE TAB CENTERLINE.
- MALE TAB MUST CONFORM TO NEMA DC2-19XX.
- TO ACCEPT .250 X .032 FEMALE RECEPTACLE.



(K)



ARK-LES UNCONTROLLED

PROD. REL.	96223	2/11/65	FAD	TOLERANCES UNLESS OTHERWISE SPECIFIED:
QUOTE REL.	96105	10/28/64	BA	DECIMALS ±.010 METRIC ±0.25mm ANGLES ±1°
DR:	R. TASTULA	4/11/95		MATERIAL: .032±.001 THK PHOSPHOR BRONZE C51000, 1/2 HARD R30T 56.5-73.5
CHK'D:	R.W.T.	4-11-95		FINISH: SEE TABLE
APP:	CEL	4-13-95		PART NO: 3000M541-1C/
REV. K	REVISED & REDRAWN PER ECR #10488	4/11/95	RT	SCALE: 4:1 CAD NO: BTP0035
REV.	DESCRIPTION	DATE	DR.	

ORIGINAL